

METAL RECYCLING BIN

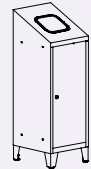
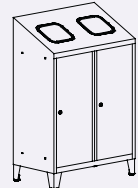
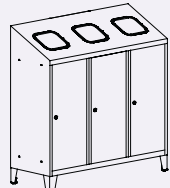
Bins for in-door use, to separate wastes: plastic, paper, glass. Body is made of powder-coated steel sheet. Slanted top prevent wastes from building-up on top of the bin. Self-closing lids prevent precipitation of smell.

CANTEEN LOCKERS


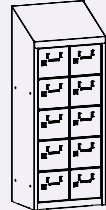
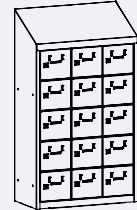
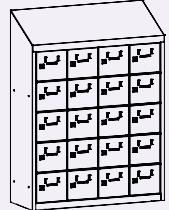
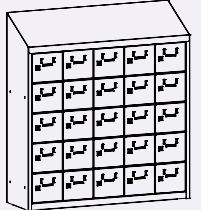
Canteen lockers to store food and personal items are ideal choice in dining areas, buffets and canteens.



TECHNICAL SPECIFICATION

										
Designation	WDL R 01-r	WDL R 01-k	WDL R 02-r	WDL R 02-k	WDL R 02-rk	WDL R 03-r	WDL R 03-k	WDL R 03-rrk	WDL R 03-kkr	WDL R 03-krk
Code	WDL 401013	WDL 401014	WDL 401015	WDL 401016	WDL 401017	WDL 401018	WDL 401019	WDL 401020	WDL 401021	WDL 401022
Height (mm)	1220									
Width (mm)	400		800			1200				
Depth (mm)	450									
Equipment	1 extendable frame	1 bin	2 extendable frames	2 bins	1 extendable frame + 1 bin	3 extendable frames	3 bins	2 extendable frame + 1 bin	2 bins + 1 extendable frame	2 bins + 1 extendable frame

TECHNICAL SPECIFICATION

					
Designation	WDL B 21-5	WDL B 22-5	WDL B 23-5	WDL B 24-5	WDL B 25-5
Code	WDL 401022	WDL 401023	WDL 401024	WDL 401025	WDL 401026
Height (mm)	1090				
Width (mm)	240	430	620	810	1000
Depth (mm)	300				
Quantity of doors	5	10	15	20	25

CABINETS FOR CLEANING STAFF

Multifunctional cabinets are designed for administrative and cleaning purposes. The equipment of the cabinets allows keeping clothes, cleaning products, buckets, brushes, etc. Adjustable shelves.

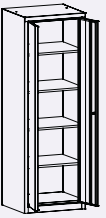
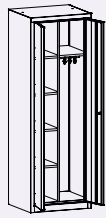
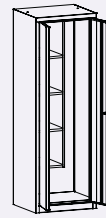


LOCKER FOR DRYING CLOTHES

Wardrobe lockers with heating and ventilation for drying clothes is a very practical and modern specialist equipment. Heated clothes drying lockers are designed to dry wet clothes, shoes and gloves in closed rooms. This is a perfect solution wherever environmental conditions cause dampness. They are e.g. construction sites, airports, mines, and many other.


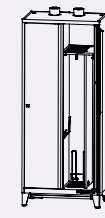

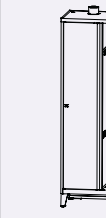
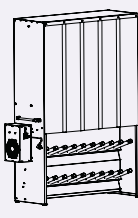


TECHNICAL SPECIFICATION

			
Designation	WDL 60	WDL 61	WDL 62
Code	WDL 401027	WDL 401028	WDL 401029
Height (mm)	1800		
Width (mm)	600		
Depth (mm)	500		
Equipment	4 shelves	- compartment with shelves - compartment with a shelf and a bar for clothes	- compartment with shelves - compartment for keeping brushes, mops and a bucket



TECHNICAL SPECIFICATION

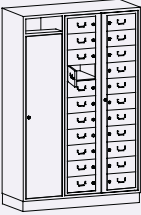
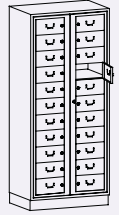
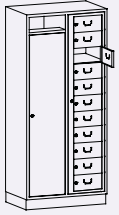
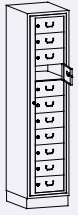
					
Designation	WDL 42-1	WDL 42-1	WDL 42-1	WDL 42-1	Cabinet for clothes and shoes' drying
Code	WDL 401030	WDL 401031	WDL 401032	WDL 401033	WDL 401034
Height (mm)	2006				1971
Width (mm)	800				1515
Depth (mm)	490				500
Equipment	- ventilation and heating 1000 W	- ventilation and heating 1000 W, - internal partitions in compartments	- ventilation and heating 1000 W, - internal partitions in compartments, - a time switch, - power socket to link 3 lockers	- ventilation, - power socket to link 3 lockers	- a bar for clothes, - 20 pipes for shoes, - 2 heating and ventilation modules, - 2 handles to move the cabinet, - leveling feet

METAL LOCKERS

- The common frame allows opening all compartments at the same time and placing clean gloves for each worker at one time, then each worker opens his compartment and takes his gloves out.
- The module of the locker also contains the compartment for hanging bag for dirty clothes.



TECHNICAL SPECIFICATION

				
Designation	WDL 1	WDL 2	WDL 3	WDL 4
Code	WDL 401035	WDL 401036	WDL 401037	WDL 401038
Height (mm)	1900			
Width (mm)	1225	820	840	435
Depth (mm)	500			
Quantity of compartments	22 + chamber	22	11 + chamber	11



WDL 3