

# High storage system HX



## Table of Contents

### GENERAL INFORMATION

---

Structural features	4
Types of pillars, frames and bracings	5
Dimensions	6
Warehouse stands	8
Levelling shims	12
Crossbeams - structural features	14
Types and cross-section of crossbeams	15
Numbering of rows	18
Pallet safeguard	19
Crossbeams	21
Articulation	22
Rack guards	23
Shelves	24
Platform grating	26
Mesh shelves	27

### INTEGRATION OF STORE AND WAREHOUSE RACKS

---

Single integration with shallowing	29
Double integration	30
Two-sided integration	31
Single integration	32
Integration brackets	37
Pallet safeguard	38

### INTEGRATION DIY SOLUTIONS

---

Dividers	41
Hangers	45
Perforated door	49
Panel holder	50
Rack with reduced depth	53

### CASH & CARRY SOLUTIONS

---

Lighting	56
Dividers and front strips	57
Baskets	58
Promotional stands	59





The idea of a rack system consists in offering a possibility to arrange rack alleys comprising one, two and multiple segments, with a possibility to provide various storage levels in each one of them.



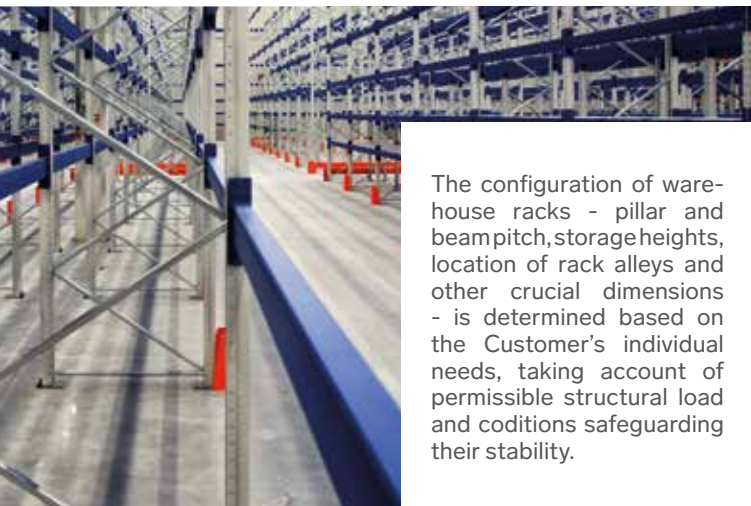
Pallet racks (HX series) are the basic equipment of these warehouses, in which goods are stored on pallets. The dimensions of the shelves are adapted to EPAL-EUR (1200 x 800 mm) pallets and industrial pallets (1200 x 1200 mm).



All elements are assembled with the use of bolt and clamp connections only, which makes it possible to reuse all components in the future.



www.tuv.com  
ID 1111211045



The configuration of warehouse racks - pillar and beam pitch, storage heights, location of rack alleys and other crucial dimensions - is determined based on the Customer's individual needs, taking account of permissible structural load and conditions safeguarding their stability.

The HX warehouse shelving system is designed and manufactured in accordance with international construction standards. The shelves have a GS safety certificate, issued by the German institute TUV Rheinland. This certificate is a confirmation that the shelves have been evaluated and tested for quality and safety according to strict German and European regulations.



---

# TECHNICAL SPECIFICATION

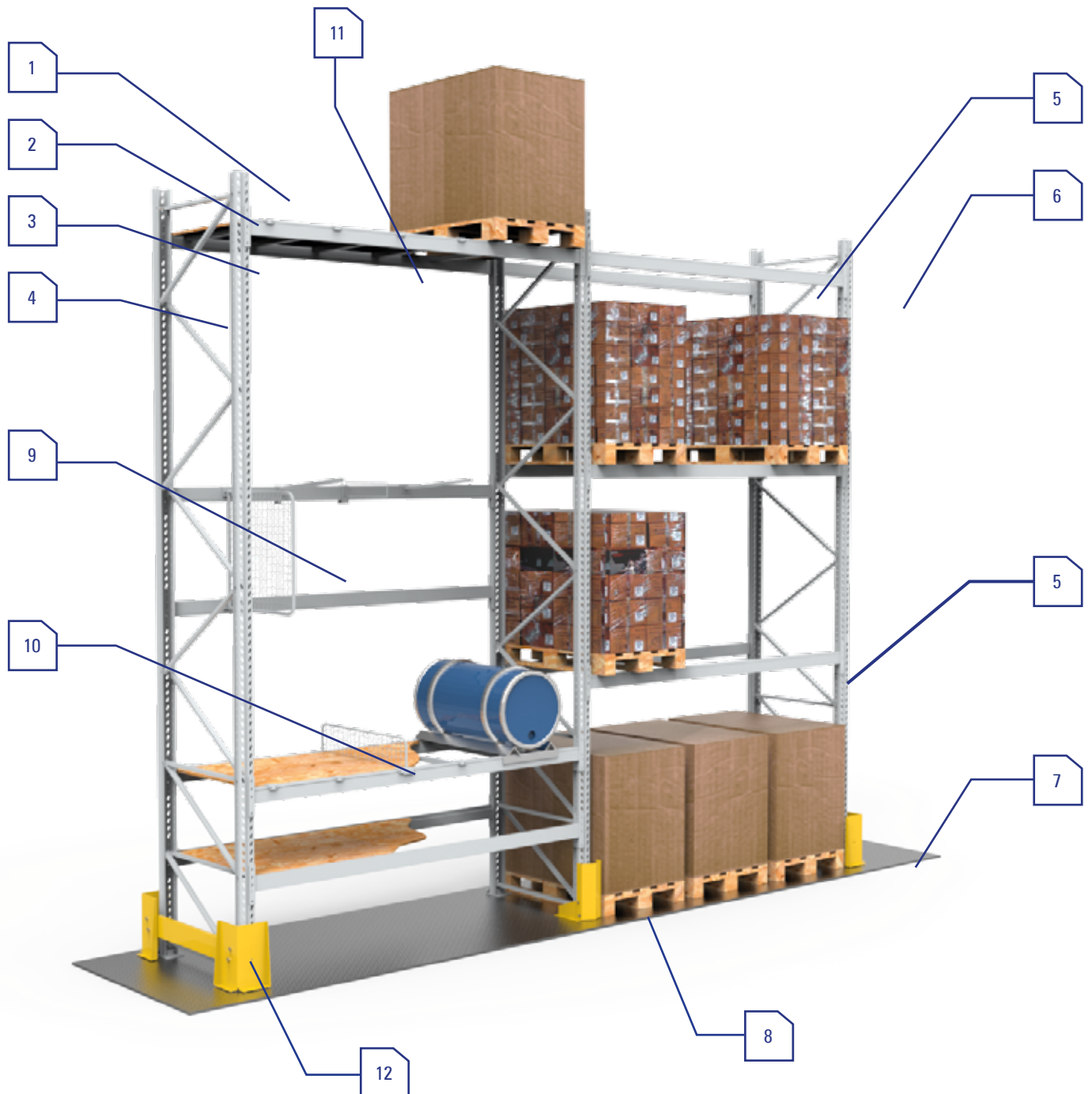
---

## HX WAREHOUSE RACKS SYSTEM





# COMPONENTS



**Basic components:**

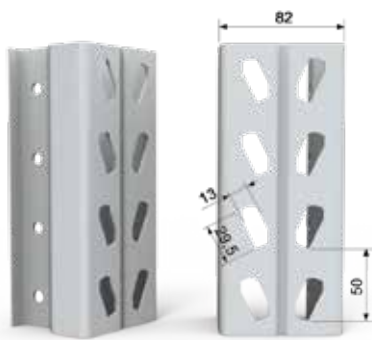
1 - pillar (profile, foot, screws with nuts); 2 - horizontal bracing; 3 - diagonal bracing; 4 - screw, nut, spacer sleeve; [elements 1-4 form the frame (stand) of a rack]; 5 - cross beam; 6 - cross beam- safeguard

**Additional components:** 7 - corner rack guard; 8 - front rack guard; 12 - fender beam

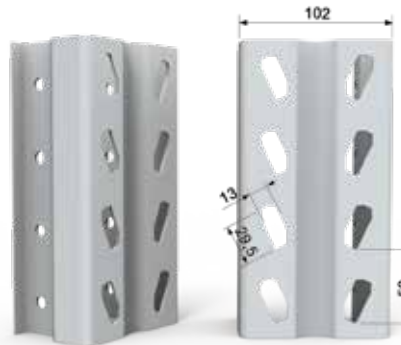
**Accessories:** 9, 10 - separators; 11 - crossbeam

## TYPES OF FRAME PILLARS

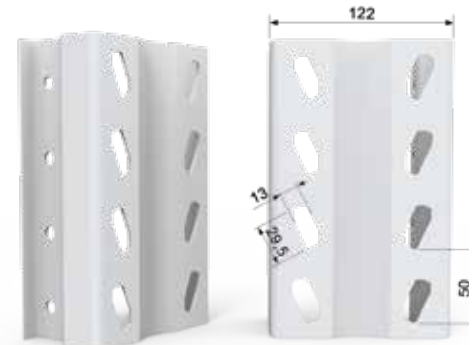
The HX system provides for a truss structure composed of two pillars joined by bracings. Pillars are made of perforated, steel open profiles with external dimensions of 82 × 70, 102 × 70 and 122 × 70 mm. The pillars include two rows of assembly openings positioned vertically every 50 mm.



HX 82 PILLAR PROFILE



HX 102 PILLAR PROFILE



HX 122 PILLAR PROFILE

## FRAME BRACING SYSTEMS

The foot, which forms the frame's basis, provides appropriate distribution of load to the floor and anchorage of the rack to the ground.

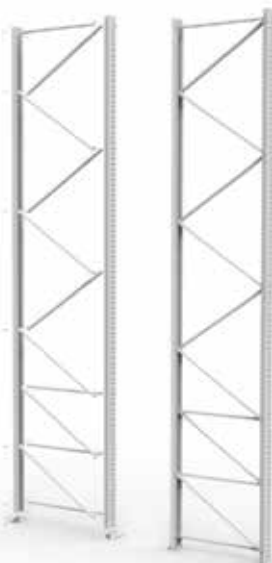
Bracings serve the purpose of joining two pillars into a frame. When it comes to a mounting method, we can distinguish two types of bracings:

- horizontal, mounted perpendicularly to pillars
- diagonal, mounted between two consecutive horizontal bracings.

The HX(S) system provides for mounting of frames with two bracing systems, labelled as "S" and "ZZS".

The "ZZS" system allows distributing slightly greater loads than the "S" system.

**The "ZZS" system considerably enhances resistance of the lower part of the pillar to destruction as a result of being hit by a forklift.**



HX FRAME WITH A "ZZS" BRACING SYSTEM



HX FRAME WITH AN "S" BRACING SYSTEM



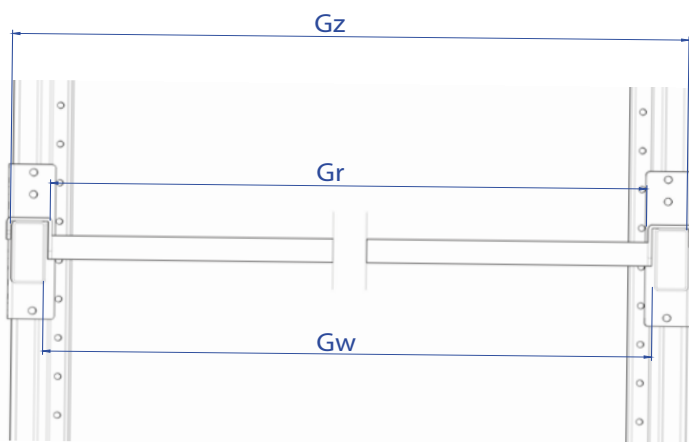
## CROSSBEAM DIMENSIONS

### FOR CROSSBEAMS WITH A WIDTH OF 40 MM

Frame Gh	Gz [mm] Gz=Gh-30	Gw [mm]	Gr [mm]
750	720	640	627
1050	1020	940	927
1130	1100	1020	1007

### FOR CROSSBEAMS WITH A WIDTH OF 50 MM

Frame Gh	Gz [mm] Gz=Gh-30	Gw [mm]	Gr [mm]
750	720	620	607
1050	1020	920	907
1130	1100	1000	987



## LONGITUDINAL DIMENSIONS

### FOR HX 82 PILLARS

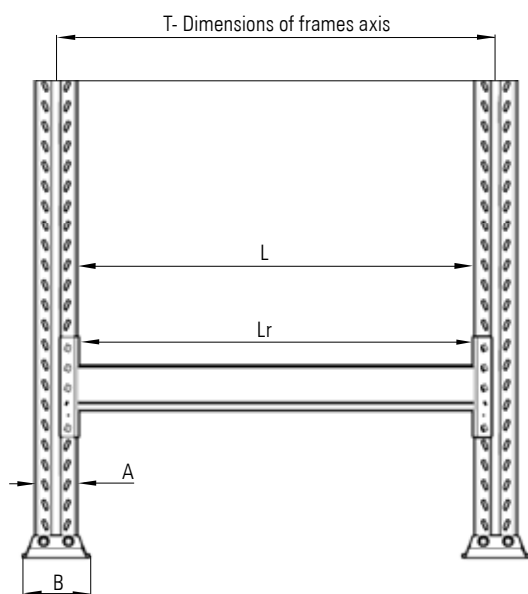
Profile width A [mm]	Foot width B [mm]	T [mm]	L [mm]	Lr [mm]	Commercial dimensions
82	144	1882	1800	1792	1800
		2782	2700	2692	2700
		3682	3600	3592	3600

### FOR HX 102 PILLARS

Profile width A [mm]	Foot width B [mm]	T [mm]	L [mm]	Lr [mm]	Commercial dimensions
102	164	1902	1800	1792	1800
		2802	2700	2692	2700
		3702	3600	3592	3600

### FOR HX 122 PILLARS

Profile width A [mm]	Foot width B [mm]	T [mm]	L [mm]	Lr [mm]	Commercial dimensions
122	184	1922	1800	1792	1800
		2822	2700	2692	2700
		3622	3600	3592	3600



# INFORMATION

Pursuant to the requirements of applicable EN 15512 standard, it is necessary to individually check the resistance of each rack configuration. It results from the fact that utilization of carrying capacity of structural elements of the rack (frames and beams) largely depends on an individual configuration. Thorough assessment needs to be performed individually for a verified structure, taking account of details of its configuration, warehousing conditions, carrying capacity of the ground, setting of racks, etc.

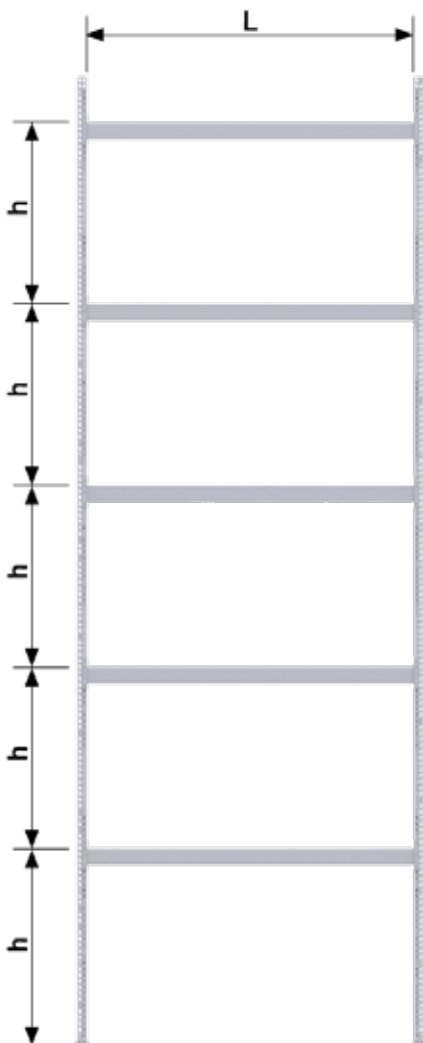
In order to facilitate initial selection of elements and provide for labelling of components with nominal load values, below you will find a set of results that represent permissible values in the best possible way.

These values are called **reference values** and they were obtained as a result of calculation of reference structures, in accordance with requirements laid down in the standard. Therefore, these **values have been confirmed 100% only with regard to a specific reference structure** (see "HX racks assembly and operating instructions", page 59 and 62). As regards a specific, real-life rack, permissible values may differ slightly from reference values.

Every effort has been made so that the presented reference values represented permissible loads of real structures in the best possible way. Experience and number of verified configurations have confirmed the appropriateness of the applied method and presented values. **Nevertheless, in order to safeguard compliance with the requirements of EN15512 standard, we need to remember that the set of "reference values" presented below does not lift the need for comprehensive verification of the structure..**

PERMISSIBLE LOAD OF FRAMES AND CROSSBEAMS [KG]

Nest height h [mm]	Load Q [kg]							
	HX 82 "S"	HX 82 "ZZS"	HX 102 0185 "S"	HX 102 0185 "ZZS"	HX 102 0220 "S"	HX 102 0220 "ZZS"	HX 122 "S"	HX 122 "ZZS"
800	11700	12450	13800	14550	16380	17280	19620	20880
1000	11160	12240	13560	14280	16200	16950	19200	20100
1200	10890	11970	13320	13860	16080	16560	19080	19680
1400	10575	11325	13050	13350	15646	15750	18690	18900
1600	10050	10500	12525	12825	15120	15120	18000	18000
1800	9300	9600	12000	12360	14400	14400	17325	17325
2000	8520	8820	11520	11520	13500	13575	16425	16425
2200	7740	7740	10935	10935	12840	12840	15600	15600
2400	7200	7200	10170	10170	11760	11760	14580	14580



PERMISSIBLE LOAD OF A PAIR OF CROSSBEAMS (ONE SHELF) [KG]

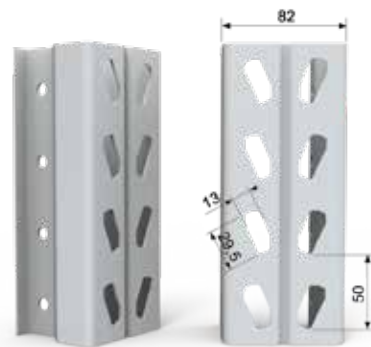
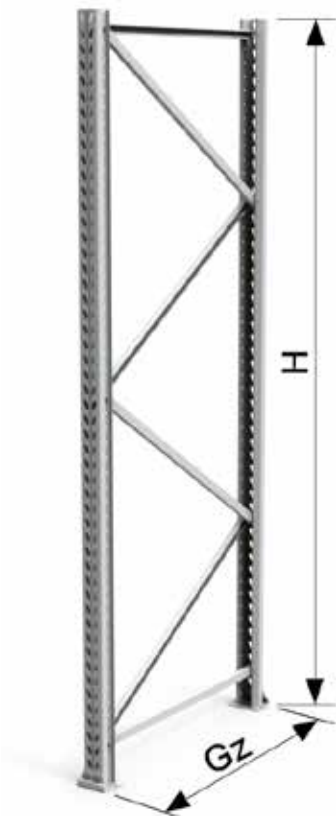
Cross section	Length of (Crossbeam) beams L [mm]									
	1200	1500	1800	2100	2400	2700	3000	3300	3600	3900
5N060	1600	1350	1180	1050	880	720	600	505	435	370
5N080	2320	1940	1680	1500	1340	1220	1050	900	770	670
5N100	3250	2740	2360	2100	1880	1715	1580	1455	1330	1160
5N125	5350	4400	3750	3270	2920	2655	2420	2250	2090	1950
4S060	2080	1760	1530	1310	1060	855	720	610	525	450
4S080	2500	2080	1800	1600	1440	1305	1080	920	790	690
4S100	4000	3300	2860	2510	2260	2070	1890	1760	1500	1320
4S120	5120	4180	3580	3160	2840	2550	2340	2175	2010	1890
4S140	6000	5250	4430	3860	3440	3120	2850	2625	2420	2280
4C100	5200	4250	3610	3200	2820	2500				
4C120	5900	4900	4100	3600	3160	2835				
5C100	6000	5100	4350	3800	3400	3000	2500	2100	1800	
5C110	6000	5700	4900	4300	3800	3400	2970	2500	2130	
5C120	6000	6000	5500	4800	4200	3800	3450	3000	2550	
5C130	6000	6000	5900	5150	4600	4050	3660	3350	3000	
5C140	6000	6000	6000	5950	5300	4800	4250	3850	3500	
5S100	6000	5800	5000	4400	3450	2800	2300	1950	1680	1450
5S120	6000	6000	6000	5500	4900	4200	3400	2850	2430	2100
5S140	6000	6000	6000	6000	6000	6000	5400	4500	3750	3250
5S150	6000	6000	6000	6000	6000	6000	6000	5250	4500	3800



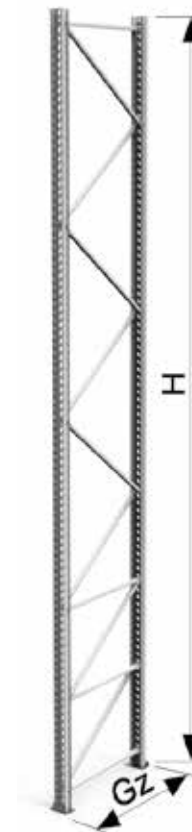
# WAREHOUSE STAND HX 82


## BRACING LAYOUT „S”


## BRACING LAYOUT „ZZS”



HX 82 PILLAR PROFILE



 Qmax. 11 700 kg

Qmax. 12 450 kg 

WAREHOUSE STAND: HX82 BRACING LAYOUT „S”

WAREHOUSE STAND : HX82 BRACING LAYOUT „ZZS”

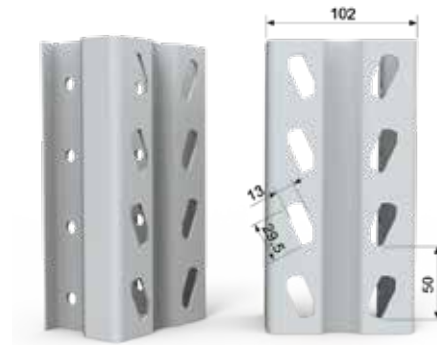
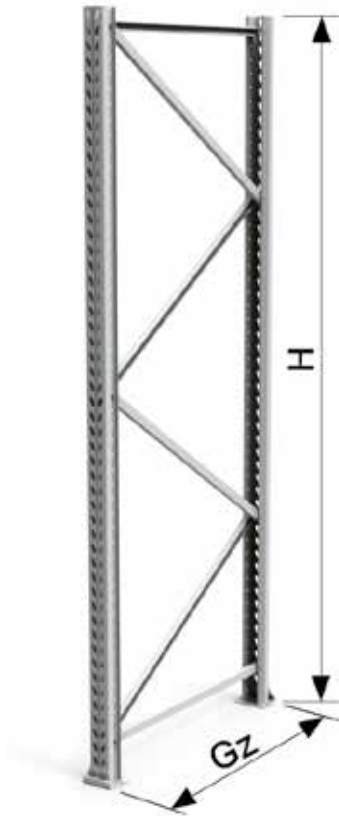
Commercial depth Gh	Depth Gz [mm]	Height H [mm]
750	720	1000
		1200
		skok co 200mm
		11800
		12000
1050	1020	1000
		1200
		skok co 200mm
		11800
		12000
1130	1100	1000
		1200
		skok co 200mm
		11800
		12000

Commercial depth Gh	Depth Gz [mm]	Height H [mm]
750	720	1000
		1200
		skok co 200mm
		11800
		12000
1050	1020	1000
		1200
		skok co 200mm
		11800
		12000
1130	1100	1000
		1200
		skok co 200mm
		11800
		12000

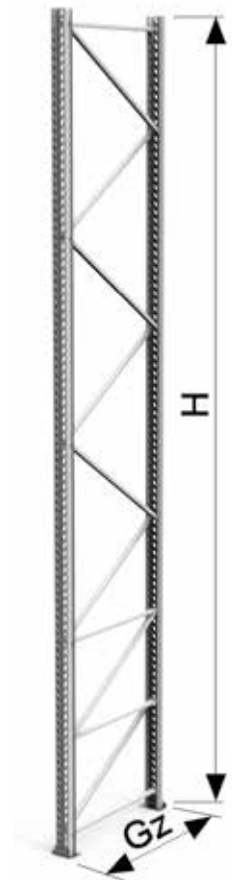
# WAREHOUSE STAND HX 102


## BRACING LAYOUT „S”


## BRACING LAYOUT „ZZS”



HX 102 PILLAR PROFILE



 Qmax. 13 800 kg

Qmax. 14 550 kg 

### WAREHOUSE STAND: HX102 BRACING LAYOUT „S”

Commercial depth Gh	Depth Gz [mm]	Height H [mm]
750	720	1000
		1200
		skok co 200mm
		11800
1050	1020	12000
		1000
		1200
		skok co 200mm
1130	1100	11800
		12000
		1000
		1200

### WAREHOUSE STAND: HX102 BRACING LAYOUT „ZZS”

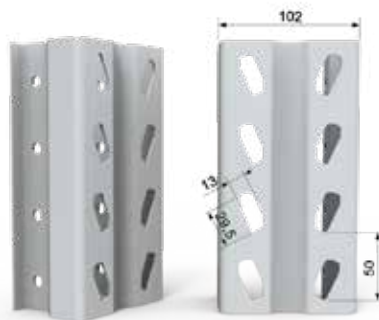
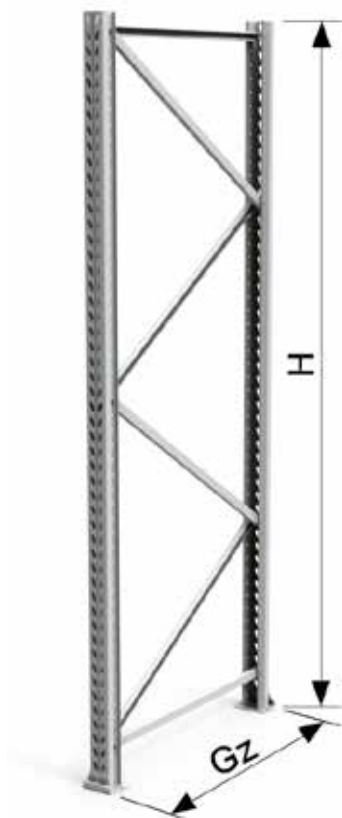
Commercial depth Gh	Depth Gz [mm]	Height H [mm]
750	720	1000
		1200
		skok co 200mm
		11800
1050	1020	12000
		1000
		1200
		skok co 200mm
1130	1100	11800
		12000
		1000
		1200



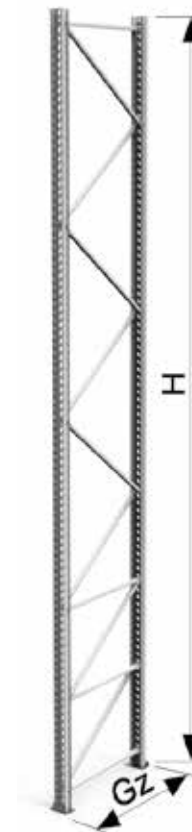
# WAREHOUSE STAND HX 102


## BRACING LAYOUT „S”


## BRACING LAYOUT „ZZS”



HX 102 PILLAR PROFILE



 Qmax. 16 380 kg

Qmax. 17 280 kg 

WAREHOUSE STAND: HX102 BRACING LAYOUT „S”

Commercial depth Gh	Depth Gz [mm]	Height H [mm]
750	720	1000
		1200
		skok co 200mm
		11800
1050	1020	12000
		1000
		1200
		skok co 200mm
1130	1100	11800
		12000
		1000
		1200

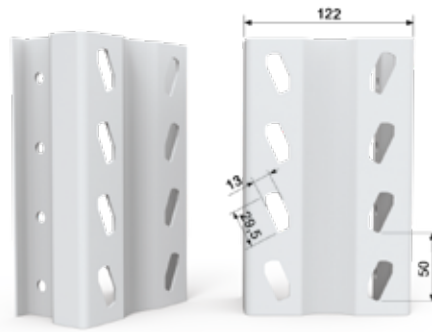
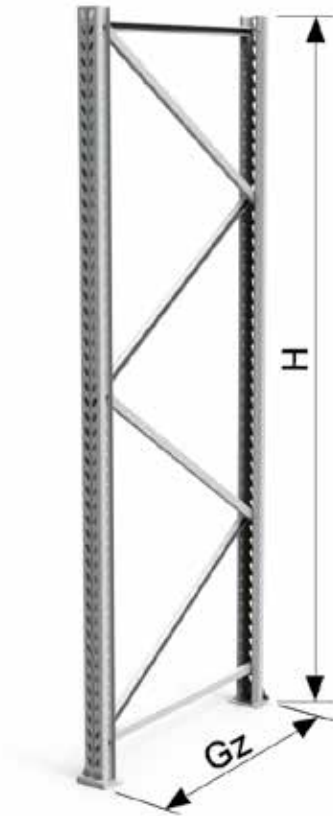
WAREHOUSE STAND: HX102 BRACING LAYOUT „ZZS”

Commercial depth Gh	Depth Gz [mm]	Height H [mm]
750	720	1000
		1200
		skok co 200mm
		11800
1050	1020	12000
		1000
		1200
		skok co 200mm
1130	1100	11800
		12000
		1000
		1200

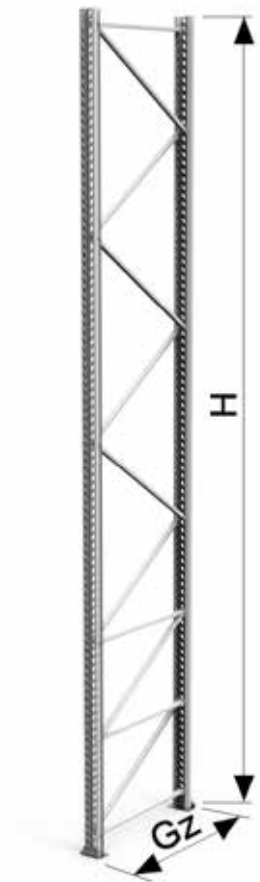
# WAREHOUSE STAND HX 122


## BRACING LAYOUT „S”


## BRACING LAYOUT „ZZS”



HX 122 PILLAR PROFILE



 Qmax. 19 620 kg

Qmax. 20 880 kg 

WAREHOUSE STAND: HX122 BRACING LAYOUT „S”

Commercial depth Gh	Depth Gz [mm]	Height H [mm]
750	720	1000
		1200
		skok co 200mm
		11800
		12000
1050	1020	1000
		1200
		skok co 200mm
		11800
1130	1100	1000
		1200
		skok co 200mm
		11800
		12000

WAREHOUSE STAND: HX122 BRACING LAYOUT „ZZS”

Commercial depth Gh	Depth Gz [mm]	Height H [mm]
750	720	1000
		1200
		skok co 200mm
		11800
		12000
1050	1020	1000
		1200
		skok co 200mm
		11800
1130	1100	1000
		1200
		skok co 200mm
		11800
		12000



## LEVELLING SHIM UNDER THE FRAME'S FOOT

### FOOT SCREWED TO THE UPRIGHT



#### FOOT For frame...

HX82

HX102

HX122



#### MOUNTED UNDER THE HX (82) FRAME

##### Thickness [mm]

1,2

2,0

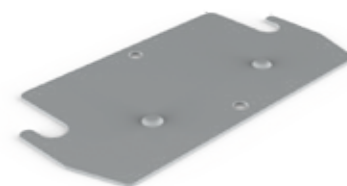


#### MOUNTED UNDER THE HX (102) FRAME

##### Thickness [mm]

1,0

3,0



#### MOUNTED UNDER THE HX (122) FRAME

##### Thickness [mm]

1,0

2,0



#### UPRIGHT PLUG

	For frame HX82	For frame HX102	For frame HX122
Upright plug	00001	00004	00007
Screw M8x...	00002	00005	00008
Nut M8	00003	00006	00009



#### ANCHOR

##### Component code

00010

# WAREHOUSE STAND TO BOTTOM CROSSBEAM



STAND TO BOTTOM CROSSBEAM HX102  
BRACING LAYOUT „ZZS”

Commercial depth Gh	Depth Gz [mm]	Height H [mm]
600	570	3000
		stroke per 200mm
		6000
		6400
750	720	3000
		stroke per 200mm
		6000
		6400
1050	1020	3000
		stroke per 200mm
		6000
		6400

STAND TO BOTTOM CROSSBEAM : HX82 BRACING LAYOUT „S”

Commercial depth Gh	Depth Gz [mm]	Height H [mm]
600	570	1000
		1200
		stroke per 200mm
		4800
		5000
750	720	1000
		1200
		stroke per 200mm
		4800
		5000
800	770	1000
		1200
		stroke per 200mm
		4800
		5000
1050	1020	1000
		1200
		stroke per 200mm
		5800
		6000

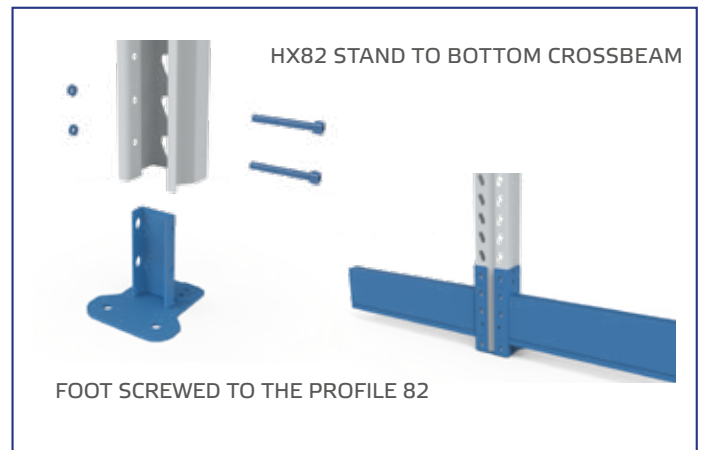
STAND TO BOTTOM CROSSBEAM: HX82  
BRACING LAYOUT „ZZS”

Commercial depth Gh	Depth Gz [mm]	Height H [mm]
1050	1020	1000
		1200
		stroke per 200mm
		5800
		6000



SHIM UNDER THE PILLAR STAND HX82

Thickness [mm]
1,0
2,0

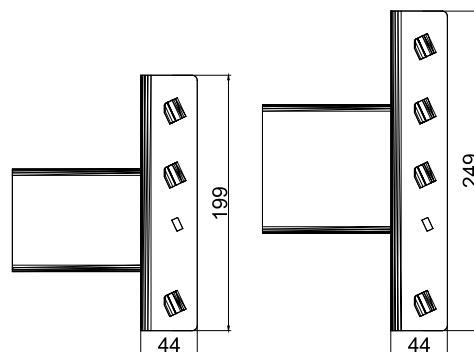


## CROSSBEAMS STRUCTURAL FEATURES

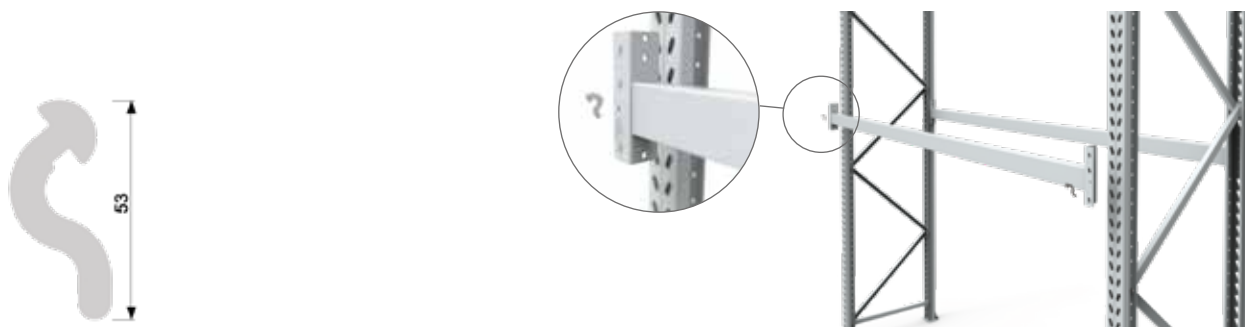


Crossbeams are profiled steel elements dedicated to mounting on rack stands to form the basis of a shelf. Depending on required usable properties, we are offering various dimensions and shapes of carrying beam section. Each crossbeam terminates in clamping grips that allow wedgetype mounting to the frame pillar's perforation. Additionally, owing to high rigidity of crossbeams pillar clamping, longitudinal stability of racks has been provided. Along with an increasing load on a pair of crossbeams, rigidity of crossbeams pillar clamping is enhanced.

Depending on dimensions of a section of an applied beam profile, joints (claws) with a height of 199 mm or 249 mm are used, labelled respectively as "200" or "250".



In order to prevent accidental pull-up and extension of crossbeams by transporting devices, protective elements are obligatorily used.





# CROSSBEAMS TYPES AND SECTIONS

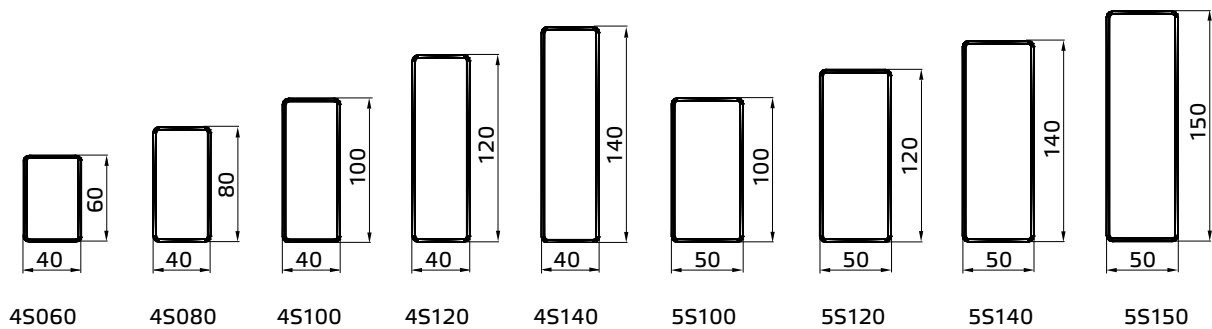


Depending on required usable properties, we are offering various dimensions and shapes of carrying beam section.

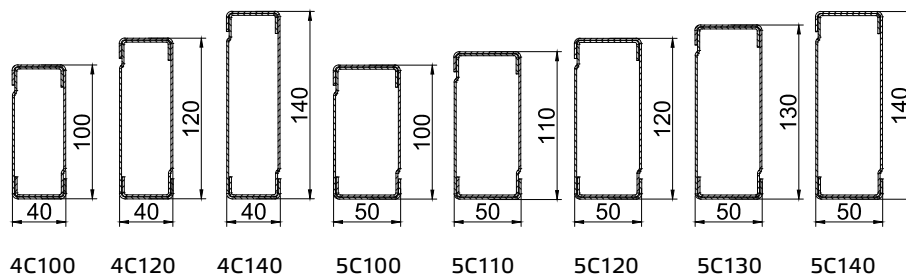
Labelling of Crossbeam types, e.g.: **5N060**

- the first digit means the width of a Crossbeam beam [cm]
- the subsequent letter marks the type of a Crossbeam beam (N - stepped section, S - rectangular, standard section, C - complex beam)
- the subsequent number marks the height of a Crossbeam beam [mm]

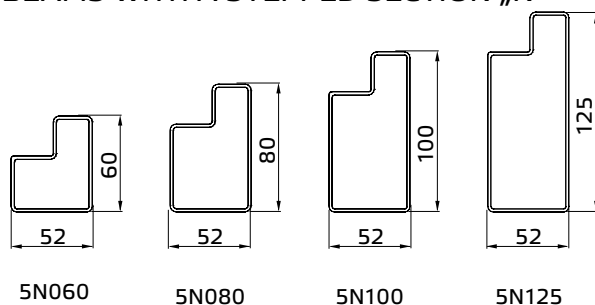
## CROSSBEAMS WITH A CLOSED SECTION „S”



## CROSSBEAMS WITH A BUILT-UP PROFILE „C”

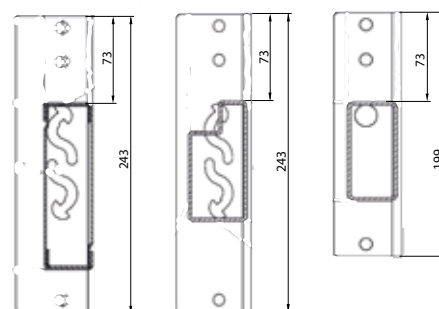


## CROSSBEAMS WITH A STEPPED SECTION „N”



## CENTRAL CROSSBEAMS

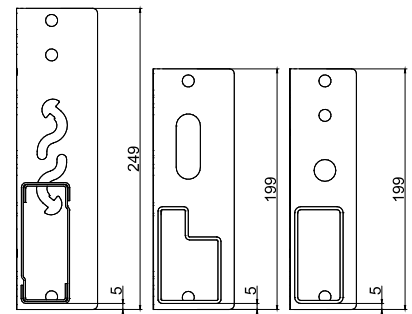
Type of crossbeam	Upright	Grip height [mm]	Commercial length	Available coatings
<b>STORAGE OF 2 EUROPALLETS</b>				
4S060	60x40	200	L-1800	Power coating, hotdip galvanization
4S080	80x40	200		
4S100	100x40	250		
4S120	120x40	250		
4S140	140x40	250		
4C100	100x40	250		Powder coating
4C120	120x40	250		
5C100	100x50	250		
5C110	110x50	250		
5C120	120x50	250		
5C130	130x50	250		Power coating, hotdip galvanization
5C140	140x50	250		
5N060	60x52	200		
5N080	80x52	200		
5N125	125x52	250		
<b>STORAGE OF 3 EUROPALLETS</b>				
4S060	60x40	200	L-2700	Power coating, hotdip galvanization
4S080	80x40	200		
4S100	100x40	250		
4S120	120x40	250		
4S140	140x40	250		
5S140	140x50	250		Powder coating
5S150	150x50	250		
4C100	100x40	250		
4C120	120x40	250		
5C100	100x50	250		
5C110	110x50	250		Power coating, hotdip galvanization
5C120	120x50	250		
5C130	130x50	250		
5C140	140x50	250		
5N060	60x52	200		
5N080	80x52	200		
5N125	125x52	250		
<b>STORAGE OF 4 EUROPALLETS</b>				
4S060	60x40	200	L-3600	Power coating, hotdip galvanization
4S080	80x40	200		
4S100	100x40	250		
4S120	120x40	250		
4S140	140x40	250		
5S140	140x50	250		Powder coating
5S150	150x50	250		
4C100	100x40	250		
4C120	120x40	250		
5C100	100x50	250		
5C110	110x50	250		Power coating, hotdip galvanization
5C120	120x50	250		
5C130	130x50	250		
5C140	140x50	250		
5N060	60x52	200		
5N080	80x52	200		
5N125	125x52	250		

**Important note!**

It is necessary to order two safeguards per one crossbeam (one per each claw).

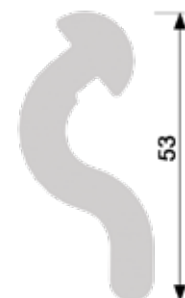
**BOTTOM CROSSBEAM**

Type of crossbeam	Upright	Grip height [mm]	Commercial length	Available coatings
<b>STORAGE OF 2 EUROPALLETS</b>				
4S060	60x40	200	L-1800	Power coating, hotdip galvanization
4S080	80x40	200		
4S100	100x40	250		
4C100	100x40	250		Powder coating
5C100	100x50	250		
5C140	140x50	250		
5N060	60x52	200		
5N080	80x52	200		Power coating, hotdip galvanization
5N125	125x52	250		
<b>STORAGE OF 3 EUROPALLETS</b>				
4S060	60x40	200	L-2700	Power coating, hotdip galvanization
4S080	80x40	200		
4S100	100x40	250		
4C100	100x40	250		Powder coating
4C120	120x40	250		
5C100	100x50	250		
5C110	110x50	250		
5C120	120x50	250		
5C130	130x50	250		
5C140	140x50	250		
5N060	60x52	200	Power coating, hotdip galvanization	
5N080	80x52	200		
5N125	125x52	250		
<b>STORAGE OF 4 EUROPALLETS</b>				
4S060	60x40	200	L-3600	Power coating, hotdip galvanization
4S080	80x40	200		
4S100	100x40	250		
4S120	120x40	250		
4S140	140x40	250		
5S150	150x50	250		Powder coating
4C100	100x40	250		
4C120	120x40	250		
5C100	100x50	250		
5C110	110x50	250		
5C120	120x50	250		
5C130	130x50	250		
5C140	140x50	250		



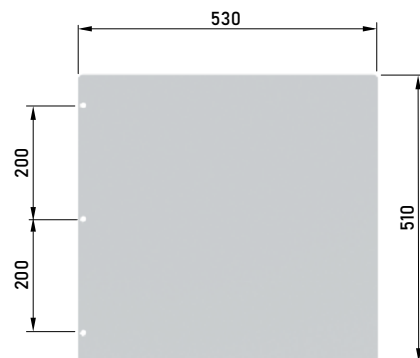
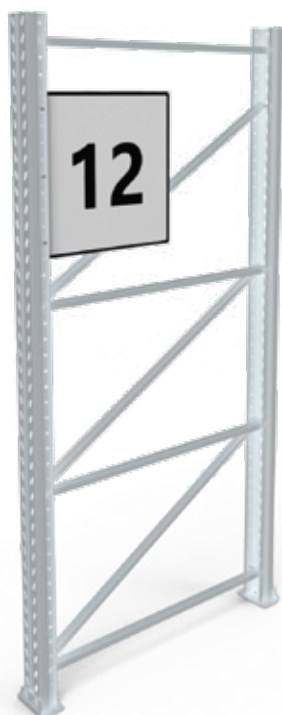
**Important note!**

It is necessary to order two safeguards per one Crossbeam (one per each claw).





## NUMBERING OF RACK ROWS AND RACKS



SHEET FOR MARKING RACK ROWS 500X500 WITH SCREWS

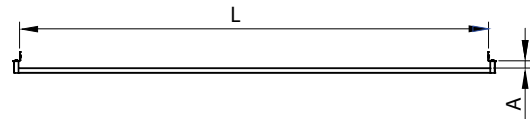
Dimension [mm]
500 x 500



SHEET FOR MARKING RACK ROWS FOR HX G

Dimension H [mm]
400

## PALLET SAFETY BACK STOP



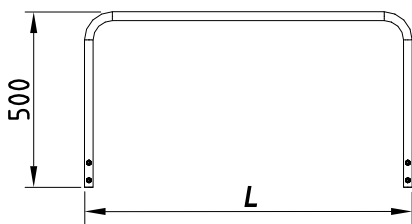
PALLET SAFETY BACK STOP

Commercial depth Gh	Dimension A [mm]	Length L [mm]
<b>PALLET SAFETY BACK STOP Gh=750</b>		
750	40	1800
		2700
		3600
<b>PALLET SAFETY BACK STOP Gh=1050</b>		
1050	97	1800
		2700
		3600
<b>PALLET SAFETY BACK STOP Gh=1130</b>		
1130	50	1800
		2700
		3600

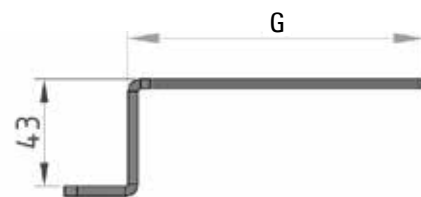
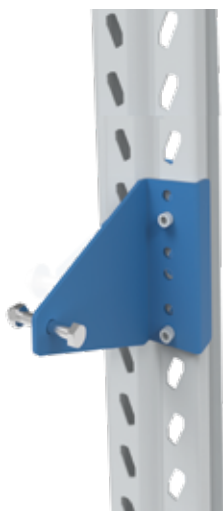
## PALLET SAFETY SIDE STOP H-500



Commercial depth Gh	Dimension L [mm]	Screw
<b>HX82 PALLET SAFETY SIDE STOP Gh=...</b>		
750	635	M8x90
1050	935	M8x90
1130	1015	M8x90
<b>HX102 PALLET SAFETY SIDE STOP Gh=...</b>		
750	635	M8x110
1050	935	M8x110
1130	1015	M8x110
<b>HX122 PALLET SAFETY SIDE STOP Gh=...</b>		
750	635	M8x140
1050	935	M8x140
1130	1015	M8x140

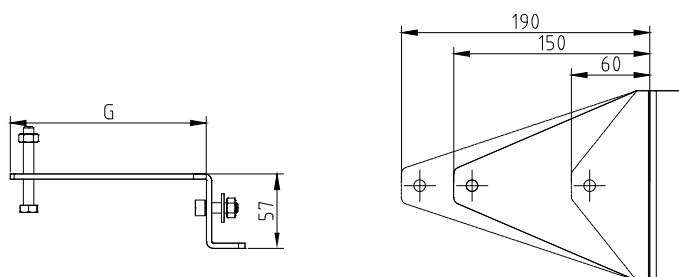


## HX 82 BRACKET FOR PROTECTIVE GRATE UNIVERSAL (LEFT/RIGHT)



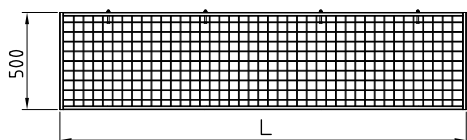
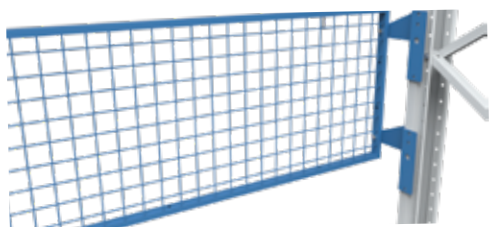
Dimension G [mm]
79
119

## HX 102 BRACKET FOR PROTECTIVE GRATE UNIVERSAL (LEFT/RIGHT)



Dimension G [mm]
60
150
190

## PROTECTIVE GRATE HX 102 H-500 L=...



Commercial length Gh	Dimension LK (mm)	H grate (mm)
----------------------	-------------------	--------------

### HX 82

1800	1875	600
2700	2775	600
3600	3675	600

### HX 102

1800	1890	500
2700	2790	500
3600	3690	500

## CROSSBARS



BEAMS FOR 4S AND 4C CROSSBEAMS

Frame Gh	Beam Gr [mm]
750	627
1050	927
1130	1007



BEAMS FOR 5S AND 5C CROSSBEAMS

Frame Gh	Beam Gr [mm]
750	607
1050	907
1130	987



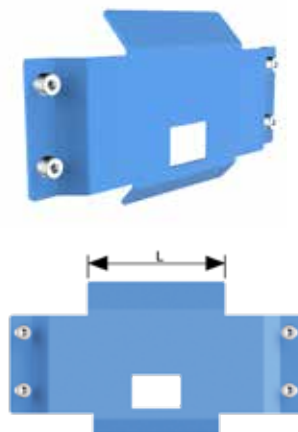
BEAMS UNDER AN 18 MM SLAB FOR 4S AND 4C CROSSBEAMS

Frame Gh	Beam Gr [mm]
G-750	L-627
G-1050	L-927
G-1130	L-1007

BEAMS UNDER AN 18 MM SLAB FOR 5C CROSSBEAMS

Frame Gh	Beam Gr [mm]
G-750	L-607
G-1050	L-907
G-1130	L-987

## BRACING OF PARALLEL ALLEYS



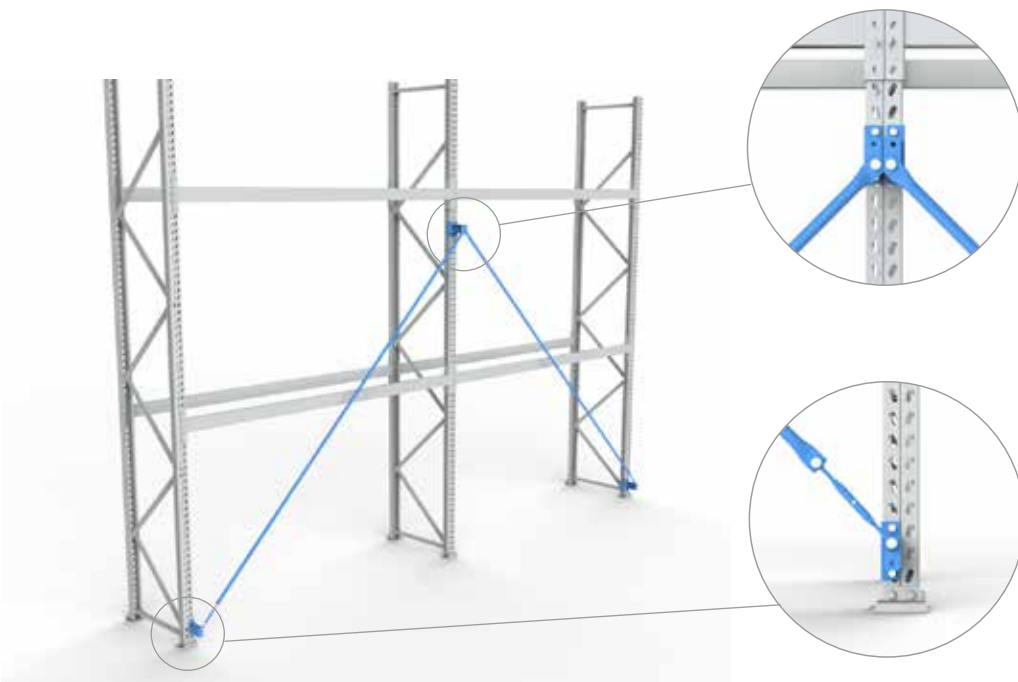
Dimension [mm]
L-50
L-100
L-120
L-200
L-300
L-500
L-700
L-1000



## REINFORCE

A spine bracing consists of two tension members attached to two adjacent frames in a plane perpendicular to the floor. The spine braces should intersect at an angle as close to 90° as possible. They must grip the frames at 60% of the frame height or higher, which means that a segment can need more than one pair of spine braces. The need for spine bracing and the bracing design and installation methods are specified in each instance in the design.

### VERTICAL REINFORCE



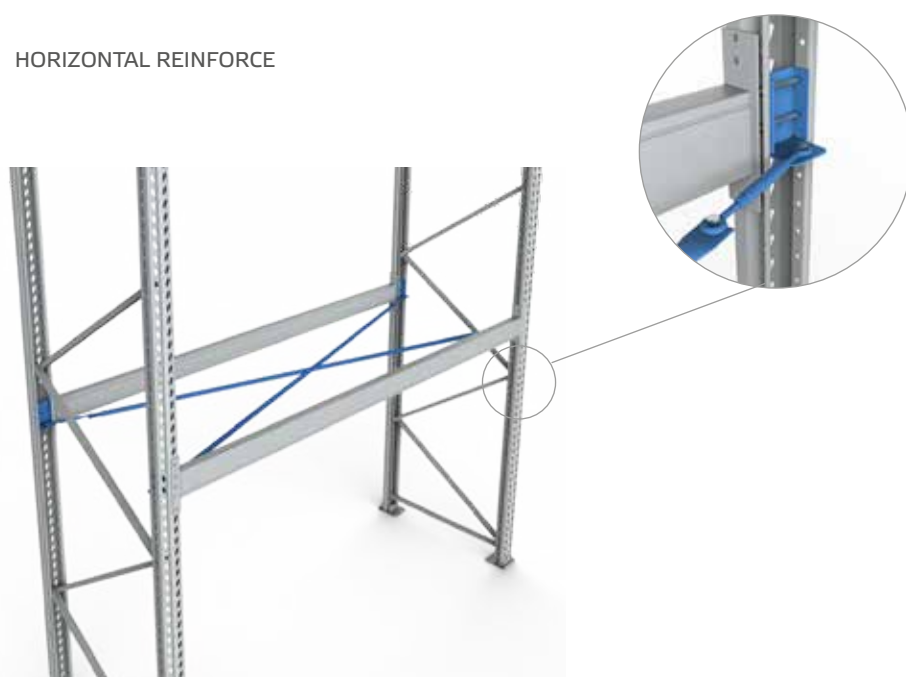
#### FOR A RACK WITH AN HX FRAME (82)

Module length [mm]
L-1800
L-2700
L-3600

#### FOR A RACK WITH AN HX FRAME (102)

Module length [mm]
L-1800
L-2700
L-3600

### HORIZONTAL REINFORCE



#### FOR A RACK WITH AN HX(82) FRAME

Frame depth [mm]	Module length [mm]
G-1130	L-1800
G-1130	L-2700
G-1130	L-3600

#### FOR A RACK WITH AN HX(102) FRAME

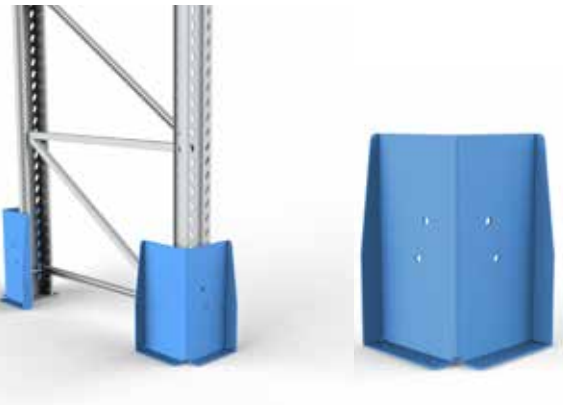
Frame depth [mm]	Module length [mm]
G-1130	L-1800
G-1130	L-2700
G-1130	L-3600

# UPRIGHT PROTECTOR



**FRONT UPRIGHT PROTECTOR**

Dimension [mm]	Frame
H - 400	82
H - 400	102
H - 400	122

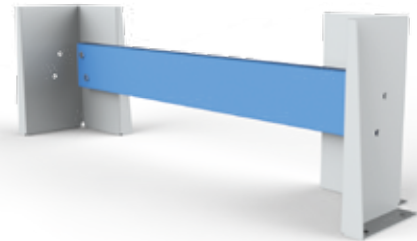


**CORNER UPRIGHT PROTECTOR**

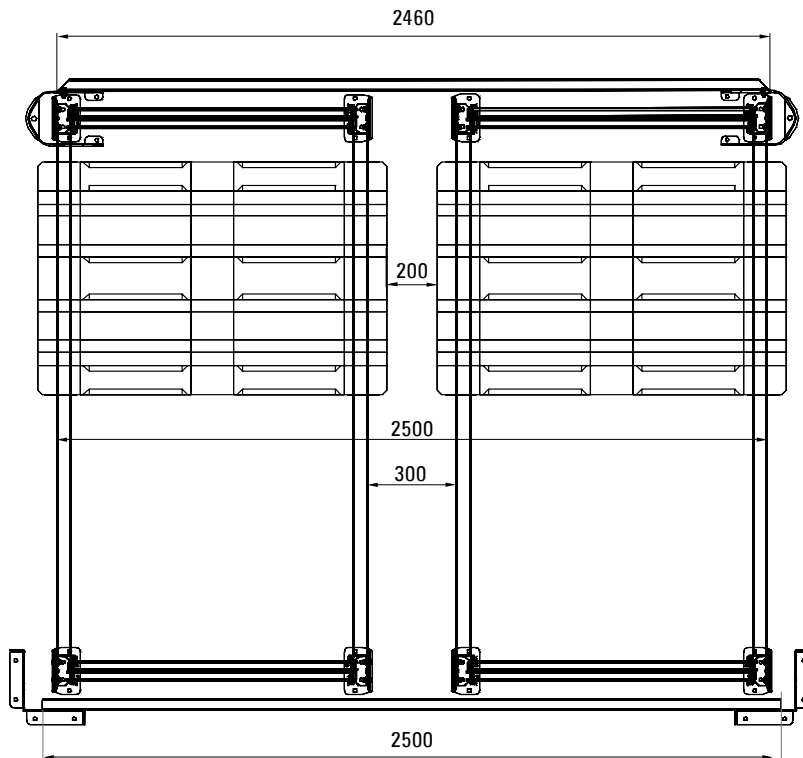
Dimension [mm]
H - 400



Fender beam with a 140x40 mm profile for a front bumper,

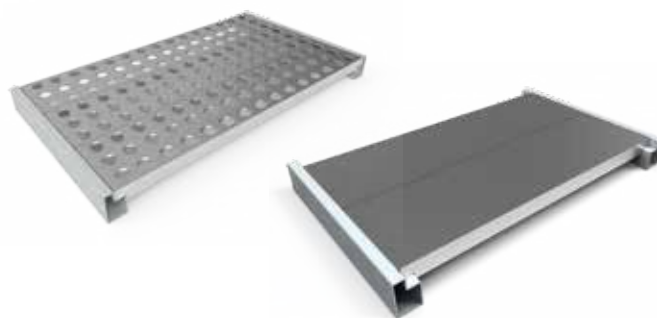
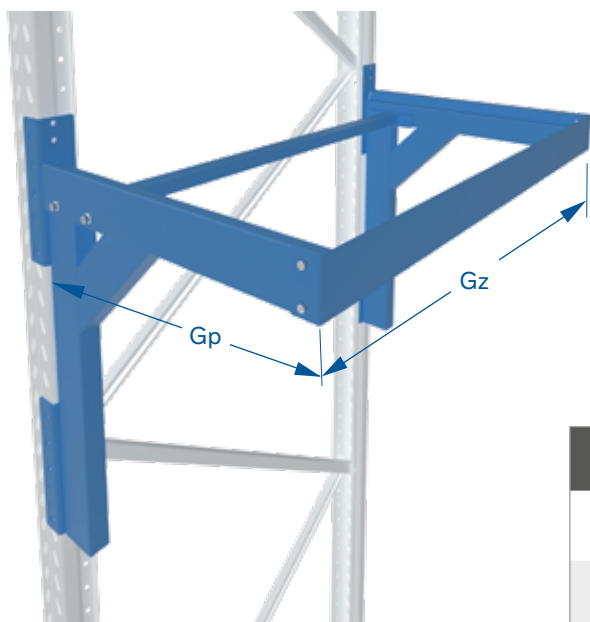


Fender beam with a 140x40 mm profile for a corner bumper,



Example of using corner and front bumpers with fender beams

## LATERAL SHELF REINFORCED



## LATERAL SHELF | PERFORATED PANELS

Commercial depth Gh	Dimension Gz [mm]	Lenght Gp [mm]	Component code H [mm]
630	600	440	1 pcs: Frame 2 pcs: Panel perf. 217
930	900	440	1 pcs: Frame 2 pcs: Panel perf. 217
1050	1020	570	1szt: Frame 3pcs: Panel perf. 186

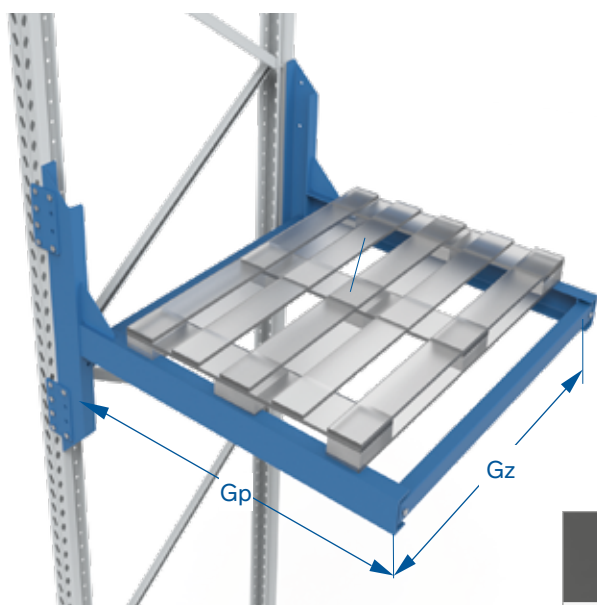
## LATERAL SHELF | PLAIN PANELS

630	600	440	1 pcs: Frame 2 pcs: Panel pełny 217
930	900	440	1 pcs: Frame 2szt: Panel pełny 217
1050	1020	570	1szt: Frame 3 pcs: Panel pełny 186



Qmax. - 150 kg

## PALLET TERMINAL



## ELEMENTS UNDER FRAME HX (82)

Commercial depth Gh	Dimension Gz [mm]	Lenght Gp [mm]	Component code H [mm]
1130	1100	1000	1 pcs: Frame



Qmax. - 480 kg

\* terminal load affects global stability, therefore the configuration should be recalculated each time

# PANEL SHELVES

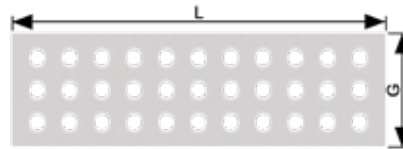


**PLAIN PANEL SHELF FOR A 50X... RECTANGULAR CROSSBEAM**

Commercial depth	Shelf length L [mp]	Shelf load max [kg]	Shelf width G [mm]
750	718	70	186
			217
1050	1018	40	186
			217
1130	1098	40	186
			217

**PLAIN PANEL SHELF FOR A 40X... RECTANGULAR CROSSBEAM**

Commercial depth	Shelf length L [mp]	Shelf load max [kg]	Shelf width G [mm]
750	718	70	217
			186
1050	1018	40	217
			186
1130	1098	40	217
			186



**PERFORATED PANEL SHELF FOR A 50X... RECTANGULAR CROSSBEAM**

Commercial depth	Shelf length L [mp]	Shelf load max [kg]	Shelf width G [mm]
750	718	70	217
			186
1050	1018	40	217
			186
1130	1098	40	217
			186

**PERFORATED PANEL SHELF FOR A 40X... RECTANGULAR CROSSBEAM**

Commercial depth	Shelf length L [mp]	Shelf load max [kg]	Shelf width G [mm]
750	718	70	217
			186
1050	1018	40	217
			186
1130	1098	40	217
			186



**PLAIN PANEL SHELF FOR A 52X... STEPPED CROSSBEAM**

Commercial depth	Shelf length L [mp]	Shelf load max [kg]	Shelf width G [mm]
750	668.5	80	217
			186
1050	965	50	217
			186
1130	1045	40	217
			186

**PERFORATED PANEL SHELF FOR A 2X... STEPPED CROSSBEAM**

Commercial depth	Shelf length L [mp]	Shelf load max [kg]	Shelf width G [mm]
750	668.5	80	217
			186
1050	965	50	217
			186
1130	1045	40	217
			186

**METHOD OF SELECTING A NUMBER OF PANEL SHELVES TO CROSSBEAMS OF A CORRESPONDING LENGTH**

Crossbeam lengths L	A 186 mm-wide shelf	A 217 mm-wide shelf
1800	6	3
2700	12	2
3600	11	7



## PLATFORM GRATING

### PLATFORM GRATING WITH AN ANGLE FOR 50X... CROSSBEAMS

Crossbeam length	Number of items necessary for shelving	Load on a single grate per [kg/m <sup>2</sup> ]
<b>G - 750</b>		
1800	2	1500
2700	3	
3600	4	
<b>G - 1050</b>		
1800	2	1200
2700	3	
3600	4	
<b>G - 1130</b>		
1800	2	1094
2700	3	
3600	4	

### PLATFORM GRATING WITH A FLAT BAR EDGE FOR 50X... CROSSBEAMS

Crossbeam lengths	Number of items necessary for shelving	Load on a single grate per [kg/m <sup>2</sup> ]
<b>G - 750</b>		
1800	2	1500
2700	3	
3600	4	
<b>G - 1050</b>		
1800	2	1200
2700	3	
3600	4	
<b>G - 1130</b>		
1800	2	1094
2700	3	
3600	4	

## MESH SHELVES FOR A RECTANGULAR CROSSBEAM

### FOR 50X... RECTANGULAR CROSSBEAMS

Crossbeam lengths	Number of items necessary for shelving	Load on a single grate per [kg/m <sup>2</sup> ]
<b>G - 750</b>		
1800	2	400
2700	3	
3600	4	
<b>G - 1050</b>		
1800	2	400
2700	3	
3600	4	
<b>G - 1130</b>		
1800	2	400
2700	3	
3600	4	

## MESH SHELVES FOR A STEPPED CROSSBEAM

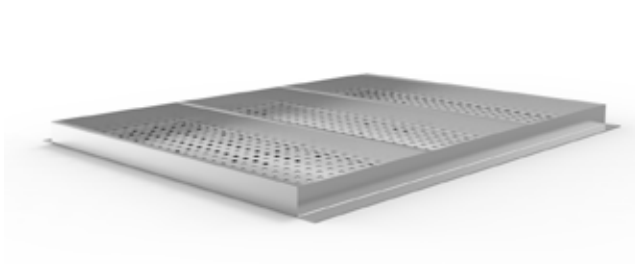


### FOR STEPPED CROSSBEAMS

Crossbeam length	Number of items necessary for shelving	Load on a single grate per [kg/m <sup>2</sup> ]
<b>G - 750</b>		
1800	2	400
2700	3	
3600	4	
<b>G - 1050</b>		
1800	2	400
2700	3	
3600	4	
<b>G - 1130</b>		
1800	2	400
2700	3	
3600	4	

## PERFORATED SHELF

PERFORATED PANEL SHELF FOR CROSSBEAMS WITH A 40X... PROFILE AND A LENGTH L OF 890 MM



Cross-beam length	Number of items necessary for shelving	Load on a single grate
<b>G - 750</b>		
1800	2	760 kg
2700	3	
3600	4	
<b>G - 1050</b>		
1800	2	490 kg
2700	3	
3600	4	
<b>G - 1130</b>		
1800	2	420 kg
2700	3	
3600	4	



---

# INTEGRATION OF STORE AND WAREHOUSE RACKS

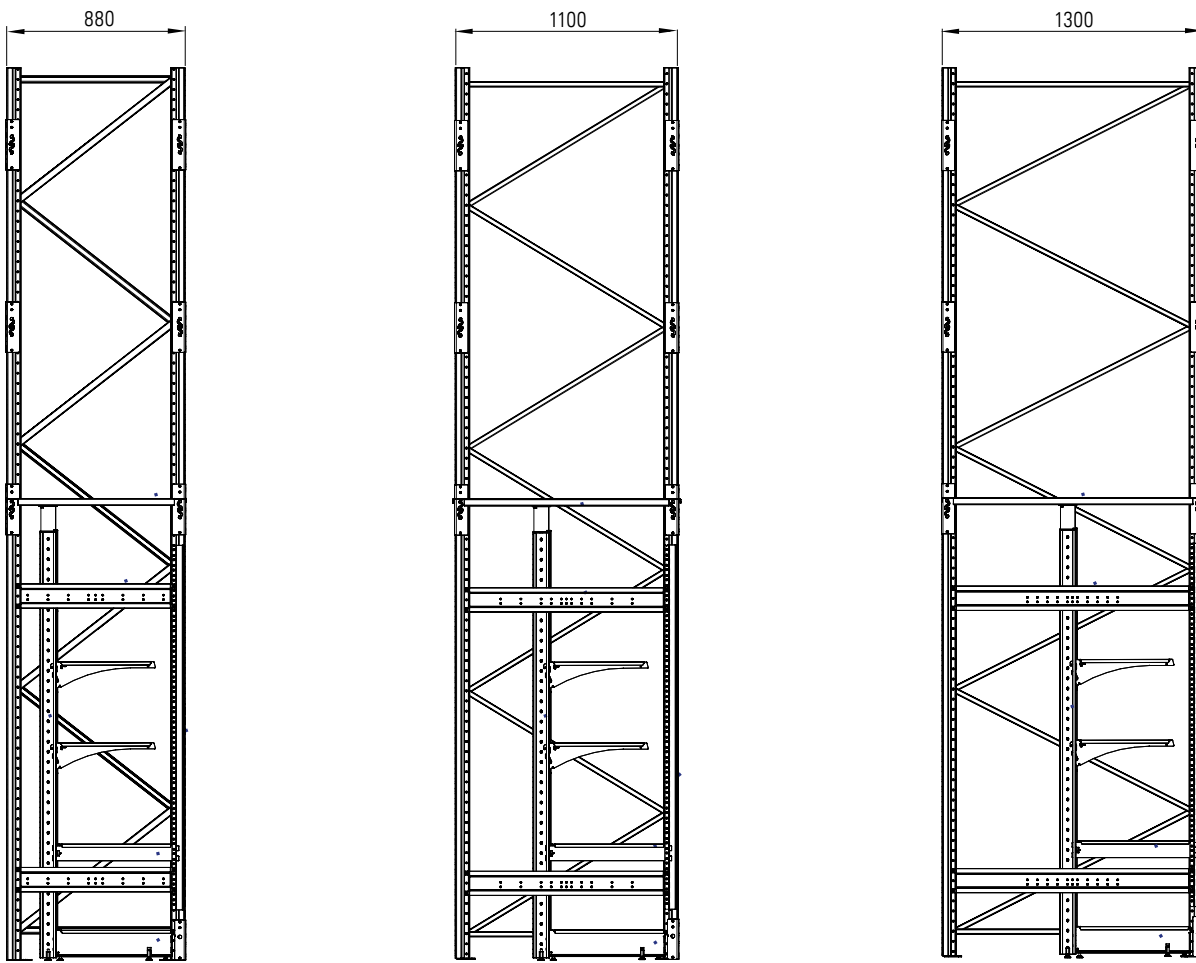
---

A series of HX racks, mainly used for fitting high storage warehouses, can also be used to arrange sales areas. Application of relevant series of types of frames and traverses allows building structures that constitute a functional reflection of racks used by DIY concepts or DIY discount stores. Application of a group of accessories presented further in the catalogue perfectly meets expectations concerning exposure and sales in the abovementioned facilities.



# SINGLE INTEGRATION WITH REDUCE DEPTH

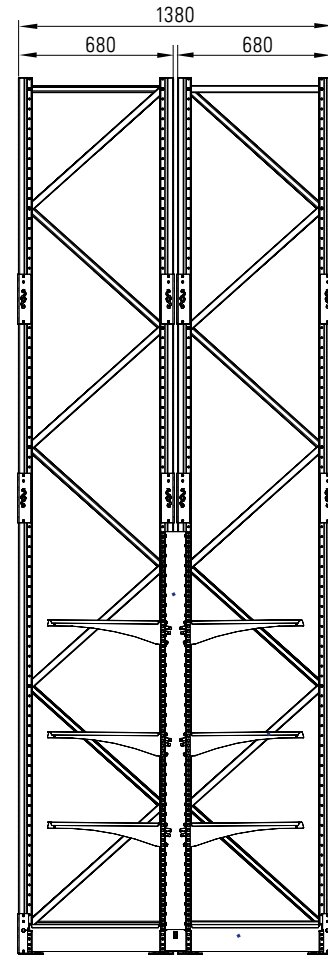
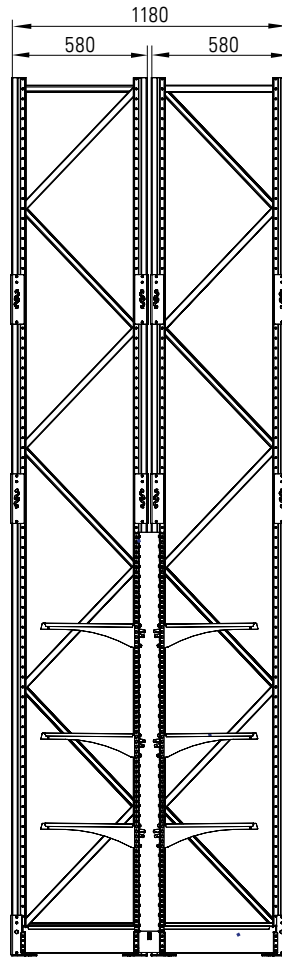
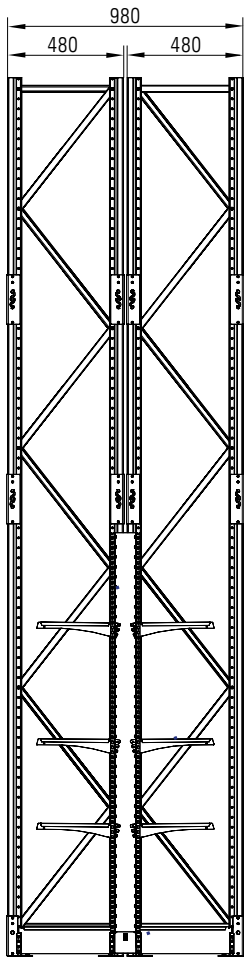
## SINGLE INTEGRATION - FRAME 82 (S) FOOTPLATE LOWER TRAVERSE



Commercial depth G	Depth Gz [mm]	Integration Gh shelf	Height H [mm]
510	480	max. 370	4400
			4600
			4800
			3400
610	580	max. 470	4400
			4600
			4800
			4400
710	680	max. 570	4600
			4800
			800
			2600
810	780	max. 670	4400
			4600
			4800
			4400
910	880	max. 770	4400
			4600

# DOUBLE INTEGRATION

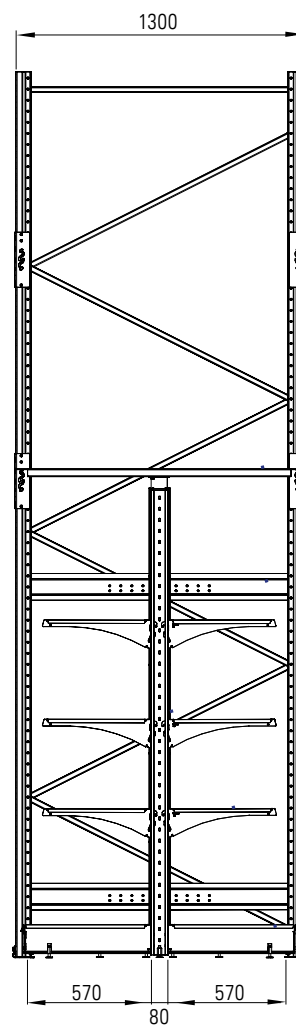
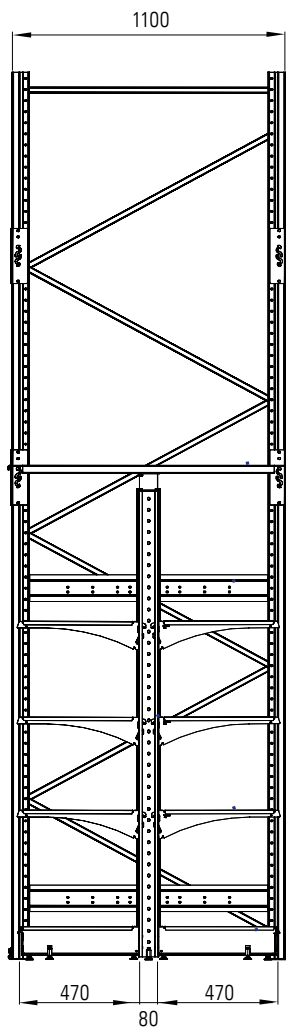
## DOUBLE INTEGRATION 25MM – FRAME 102 ZZS) FOOTPLATE LOWER TRAVERSE



Commercial depth Gh	Depth Gz [mm]	Integration Gh shelf	Height H [mm]
510	480	max. 370	4400
610	580	max. 470	4400
710	680	max. 570	4400
810	780	max. 670	4400
910	880	max. 770	4400



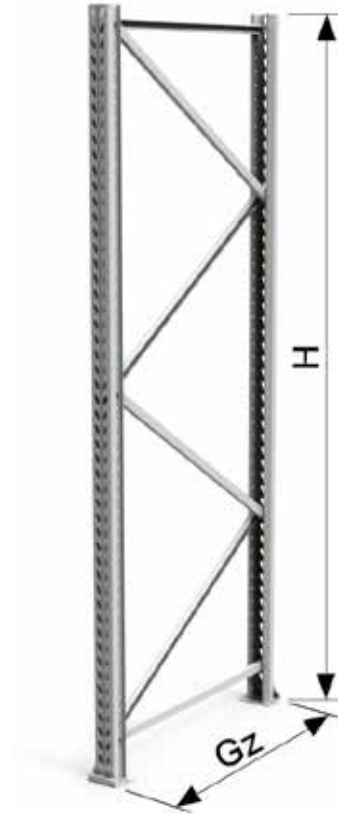
## TWO-SIDED INTEGRATION



Commercial depth Gh	Depth Gz [mm]	Integration Gh shelf	Height H [mm]
<b>HX 82 (S)</b>			
930	900	2 x 370	4000
1130	1100	2 x 470	4000
1330	1300	2 x 570	4000
<b>HX 102 (S)</b>			
930	900	2 x 370	4200
1130	1100	2 x 470	4200
1330	1300	2 x 570	4200
<b>HX 102 (ZZS)</b>			
930	900	2 x 370	4600
1130	1100	2 x 470	4600
1330	1300	2 x 570	4600

# SINGLE INTEGRATION

FRAME WITH A REDUCE DEPTH 82 (S) LOWER TRAVERSE



Commercial depth Gh	Depth Gz [mm]	Integration Gh shelf	Height H [mm]
<b>HX 82 (S)</b>			
810	780	max. 670	4000
830	800	max. 670	4000
910	880	max. 570+210	4000
1050	1020	max. 670+210	4000
1130	1100	max. 670+210	4000
<b>HX 102 (ZZS)</b>			
810	780	max. 670	4000
830	800	max. 670	4000
910	880	max. 570+210	4000
1050	1020	max. 670+210	4000
1130	1100	max. 670+210	4000

# DOUBLE INTEGRATION

TWO FRAMES



FRAME 82 (S) DOUBLE INTEGRATION 2 FRAMES

Commercial depth Gh	Depth Gz	Integration Gh shelf	Height H [mm]
510	480	max. 370	4400
			4600
610	580	max. 470	4400
			4600
710	680	max. 570	4400
			4600
810	780	max. 670	4400
			4600
910	880	max. 770	4400
			4600

FRAME 102 (ZZS) DOUBLE INTEGRATION 2 FRAMES

Commercial depth Gh	Depth Gz [mm]	Integration Gh shelf	Height H [mm]
510	480	max. 370	4400
610	580	max. 470	4400
710	680	max. 570	4400
810	780	max. 670	4400
910	880	max. 770	4400

## TWO-SIDED INTEGRATION

### TWO-SIDED INTEGRATION - GONDOLA IN ONE FRAME

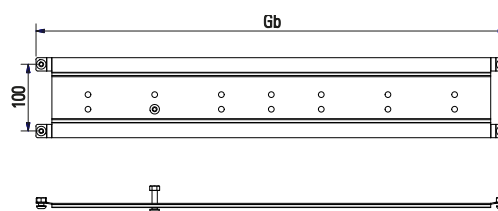
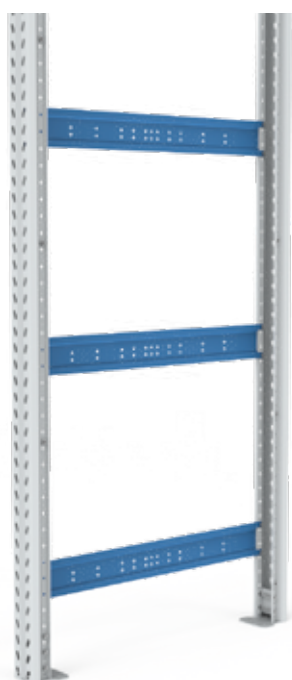


Commercial depth Gh	Depth Gz	Integration Gh shelf	Height H [mm]
<b>HX 82</b>			
930	900	2 x 370	4000
930	900	2 x 370	4200
1130	1100	2 x 470	4000
1130	1100	2 x 470	4200
1330	1300	2 x 570	4000
1330	1300	2 x 570	4200
<b>HX 102 (S)</b>			
930	900	2 x 370	4200
930	900	2 x 370	4800
1130	1100	2 x 470	4000
1130	1100	2 x 470	4200
1330	1300	2 x 570	4000
<b>HX 102 (ZZS)</b>			
930	900	2 x 370	4600
930	900	2 x 370	5000
1130	1100	2 x 470	4600
1130	1100	2 x 470	4800
1330	1300	2 x 570	4600
1330	1300	2 x 570	4800

## BEAMS FOR REDUCED DEPTH

SINGLE INTEGRATION WITH REDUCED DEPTH  
OR TWO-SIDED SYMMETRICAL

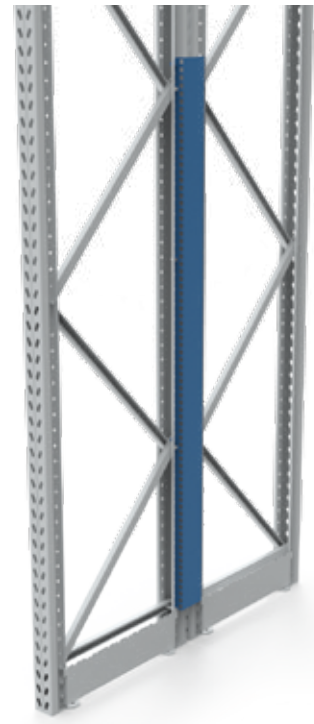
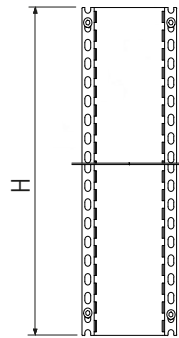
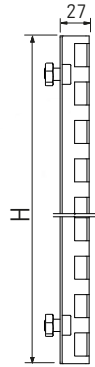
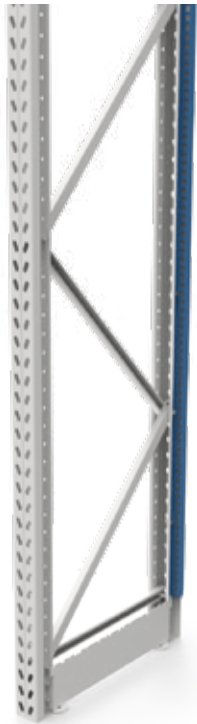
- use 2 pcs to H = 2300
- use 3 pcs from H = 2300 to 2500



Commercial depth Gh	Depth Gb [mm]
810	686
830	706
910	786
930	806
1010	886
1050	926
1130	1006
1150	1026
1330	1206

# DOUBLE INTEGRATION

## INTEGRATION ADAPTERS 25 MM



### SINGLE

Height H [mm]
500
600
700
800
900
1000
1100
1200
1300
1400
1500
1600
1700
1800
1900
2000
2100
2200
2300
2400
2500

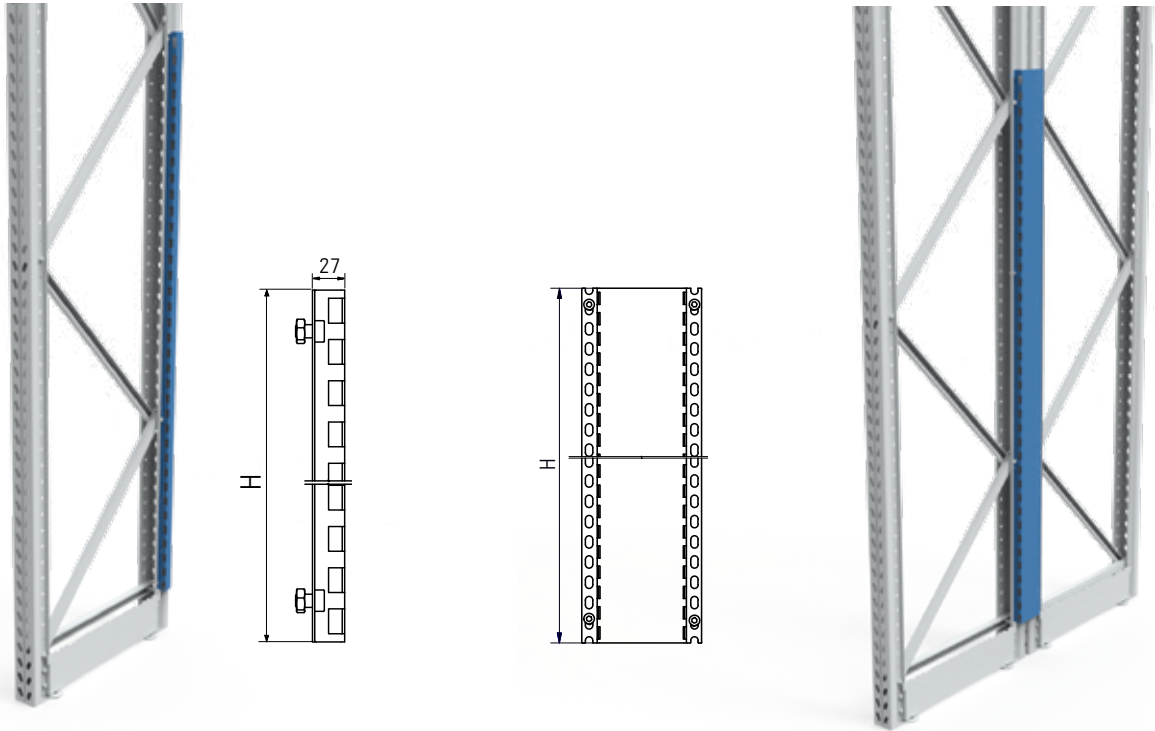
### TWO-SIDED

Height H [mm]
900
1000
1100
1200
1300
1400
1500
1600
1700
1800
1900
2000
2100
2200
2300
2400
2500



# DOUBLE INTEGRATION

INTEGRATION ADAPTERS 50 MM



SINGLE

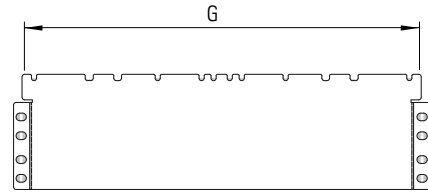
Height H [mm]
500
600
700
800
900
1000
1100
1200
1300
1400
1500
1600
1700
1800
1900
2000
2100
2200
2300

TWO-SIDED

Height H [mm]
900
1000
1100
1200
1300
1400
1500
1600
1700
1800
1900
2000
2100
2200
2300
2400
2500

## LOWER BRACKET FOR INTEGRATION

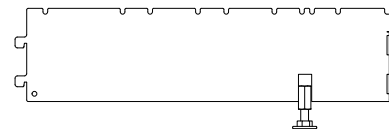
DOUBLE INTEGRATION 2 FRAMES



Commercial depth Gh	Bracket depth G [mm]	Commercial depth shelfi
510	388	370
610	488	470
710	588	570
810	688	670
910	788	570 + 210

## BASELEG FOR INTEGRATION

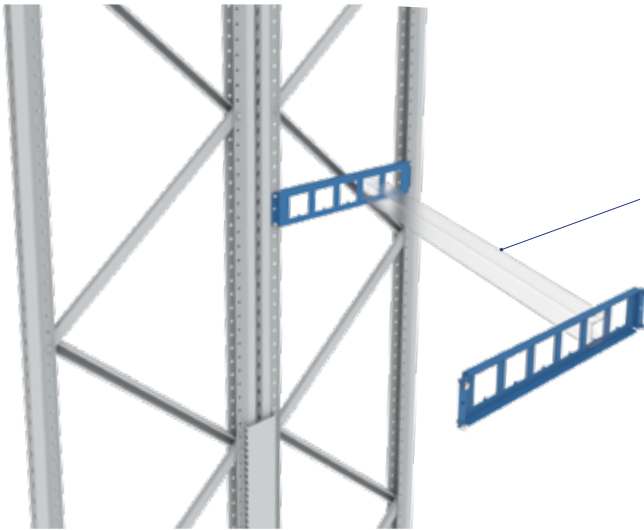
DOUBLE INTEGRATION IN ONE FRAME FOR PERFORATION 50 MM



Commercial depth Gh	Component code/right
370	HX-A10120370
470	HX-A10120470
570	HX-A10120570
670	HX-A10120670
770	HX-A10120770

# PALLET SAFETY SIDE STOP

## PALLET SAFETY SIDE STOP BRACKET



for crossbeam  
LH-2700

Commercial depth Gh	Depth Gb [mm]
510	390
610	490
710	590
810	690
910	790
1010	890

### SAFETY TUBE

Length L	Lh crossbeam
2018	1998
2528	2498
2693	2663
2730	2700

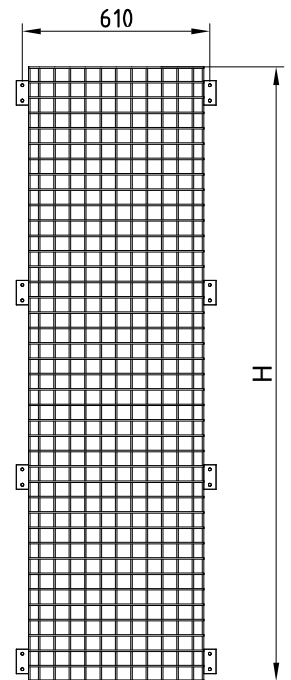
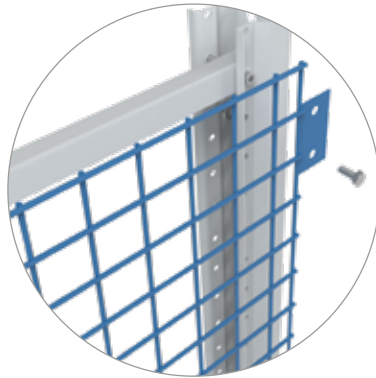
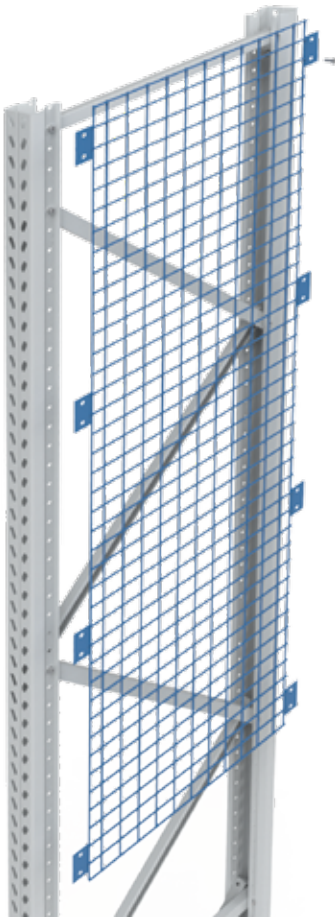
# END CAP

## BAR FOR END CAP



Commercial depth Gh	Depth Gb [mm]
510	338
600	428
610	438
630	458
650	478
710	538
1000	828
1050	878
1130	958
1230	1058

# LATERAL PROTECTIVE GRATE



GRATE ON FRAME HX (82, 102, 122)

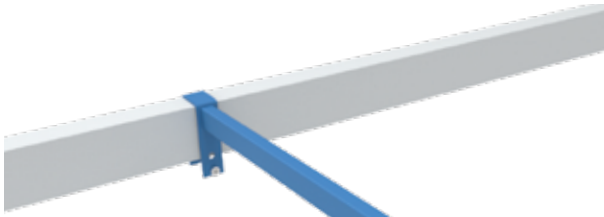
Frame Gh	Gz [mm] Gz=Gh-30	Gk [mm]	Height grate H [mm]
750	720	610	2000
			2600
			3000
1050	1020	910	1800
			2000
			2100
			2500
			2800
			3000
1130	1100	990	2000
			2500
			2800
			3000

# INTEGRATION - DIY SOLUTIONS

---



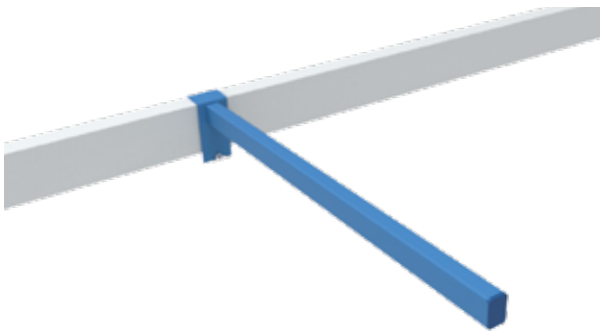
## DIVIDERS



### DIVIDER

Divider (prof. 18x30) on crossbeam 40x60, 80 L-... a set.

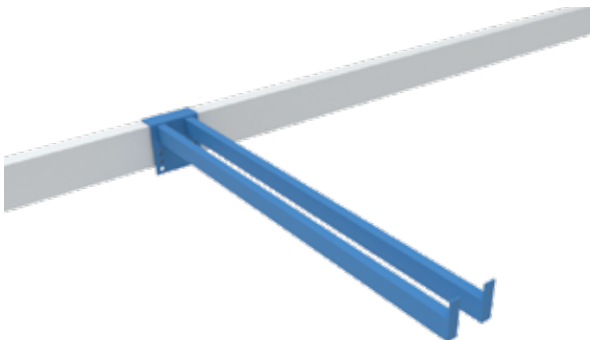
Dimensions [mm]
L - 400
L - 500
L - 600
L - 700
L - 800
L - 900
L - 1000



### DIVIDER

Divider (prof. 27x40) on crossbeam 40x100 a set.

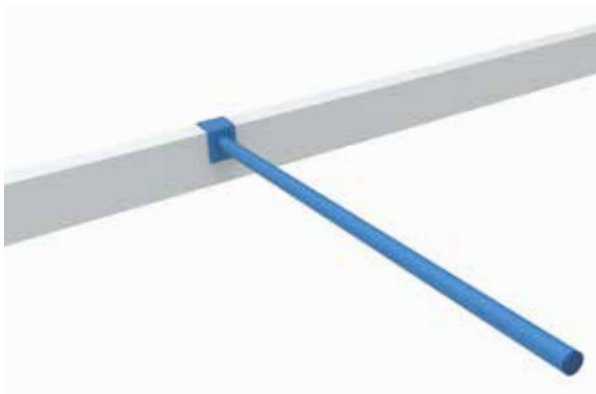
Dimensions [mm]
L - 500
L - 600
L - 700
L - 800
L - 900



### DUAL DIVIDER

Double divider 20x40 on crossbeam 40x...

Dimensions [mm]
L - 600
L - 900



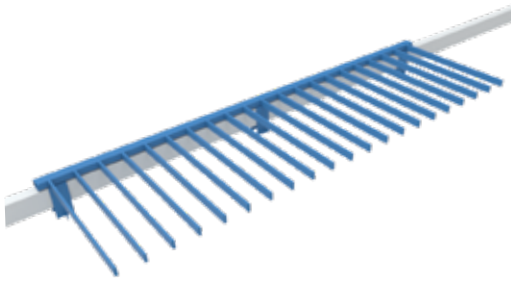
### DIVIDER

Hanger / Divider on crossbeam 40x60

Dimensions [mm]
G-300, D-25
G-400, D-25
G-550, D-25
G-650, D-25
G-750, D-25
G-950, D-25
G-1050, D-25



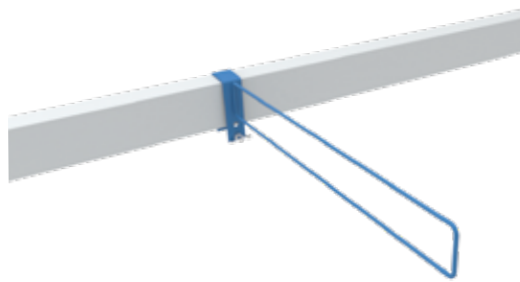
## DIVIDERS



### COMB DIVIDER

Comb Divider G-540  
on crossbeam 40x60/80/100 L-...

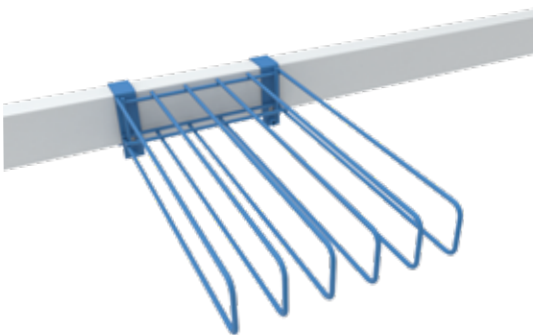
Dimension [mm]
L - 1000
L - 1300
L - 2000
L - 2300
L - 2500
L - 2700
L - 3600
L - 3700



### DOUBLE WIRE DIVIDER

Double wire divider  
100x40, a set

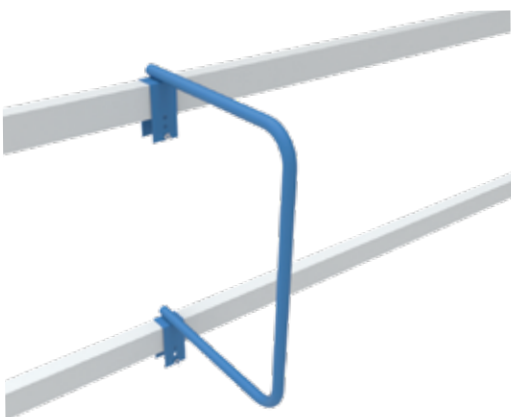
Dimension [mm]
L - 350
L - 400
L - 500
L - 590
L - 600
L - 650
L - 800
L - 900



### DIVIDER FOR CURTAIN RAILS

Divider for curtain rails (5 partition)  
G-440 L-256 crossbeam 40x80  
with screw-a set

Dimension [mm]
L - 256, G-440

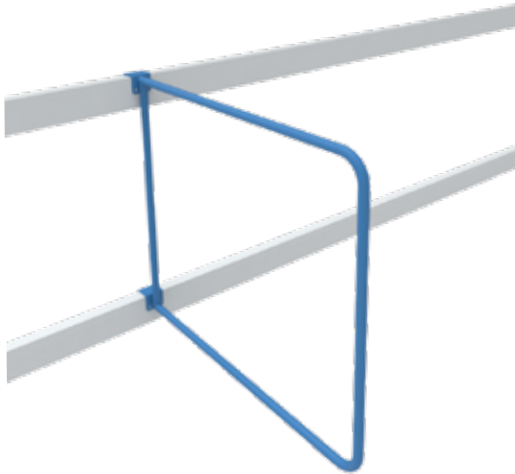


### SEPARATOR

Divider H-600 i 700 D-25 mm  
crossbeam 40x...-a set

Dimension [mm]
<b>CROSSBEAM 40 X 60/80/100</b>
G-500 H-600
G-700 H-600
G-1000 H-600
<b>CROSSBEAM 40 X 100</b>
G-600 H-700
G-800 H-700
G-1000 H-700
<b>CROSSBEAM 40 X 120</b>
G-700 H-700
G-1000 H-700

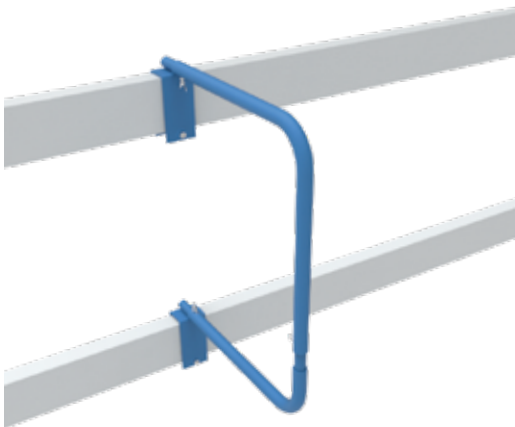
## DIVIDERS



### DIVIDER

Divider H-800 i 1000 D-25 mm on crossbeam 40x...-a set

Dimension [mm]
H-800
G-500
G-600
G-800
H-1000
G-500
G-600
G-800

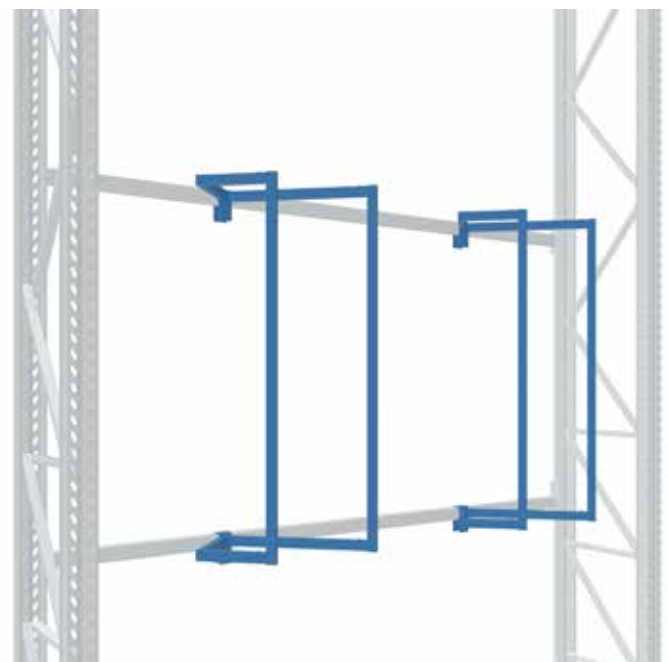
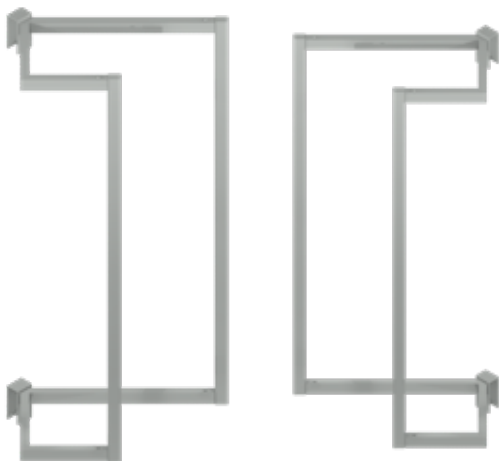


### ADJUSTABLE DIVIDER

Adjustable divider on crossbeam 40x60, 80, 100 G-(400-700) H-(500-700) a set

Dimension [mm]
G - (400-700), H – (500-700) Na trawers 40x 60, 80, 100

## DIAGONAL DIVIDER FOR THE PURPOSE OF EXPOSING PANELS ON CROSSBEAM 40X100



Dimension [mm]
Prawy H - 1440
Lewy H - 1440

## DIVIDERS AND FRONT SAFEGUARDS



### DIVIDER

Divider on crossbeam 40x...

## SAFEGUARD-LIMITER BEAM



### LOWER

Dimensions [mm]
Prof. 27x40 / L - 1800
Prof. 27x40 / L - 2700



### UPPER

Dimensions [mm]
Prof. 27x40 / L - 1800
Prof. 27x40 / L - 2700

### FRONT RACK SAFEGUARD WITH A REMOVABLE BEAM (PIPE)



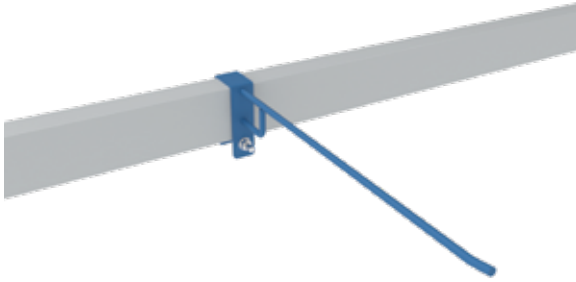
Dimensions [mm]
L - 1800
L - 2700

### FRONT RACK SAFEGUARD WITH A REMOVABLE BEAM (PROFILE)



Depth D [mm]	Length L [mm]
120	1800
120	1800

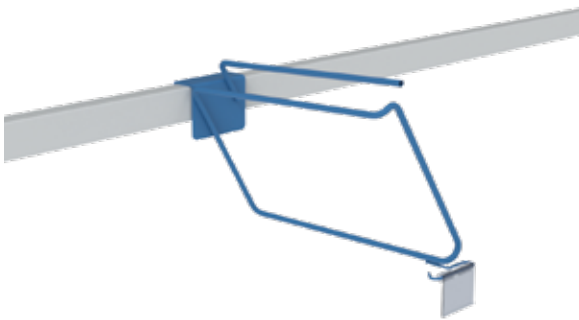
# HANGERS



## HANGER STRAIGHT SUPPORTED

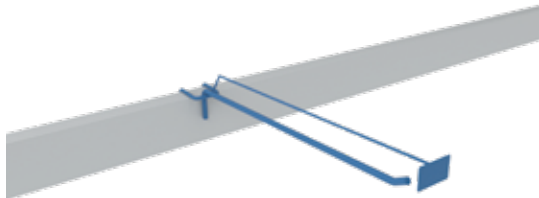
On crossbeam 40x60

Dimension [mm]
L - 200, D - 8
L - 300, D - 8
L - 400, D - 8



## HAMMERS HANGER

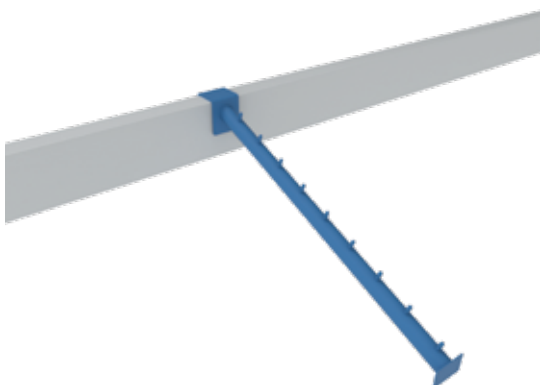
On bar 27x40



## HANGER STRAIGHT WITH LABEL; 50X30

Hanger on crossbeam 40x...

Dimension [mm]
L - 200, D - 8
L - 300, D - 8
L - 400, D - 8
L - 500, D - 8
L - 500, D - 10

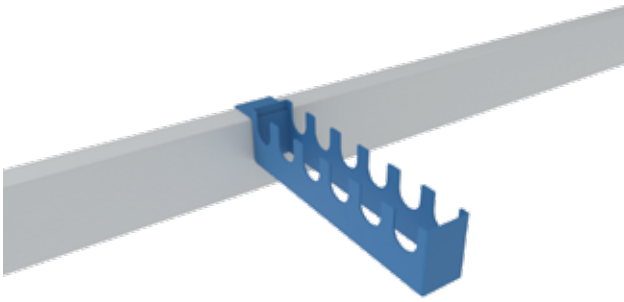


## HANGER DIAGONAL

Hanger on crossbeam 40x...

Dimension [mm]
L - 500, D - 25

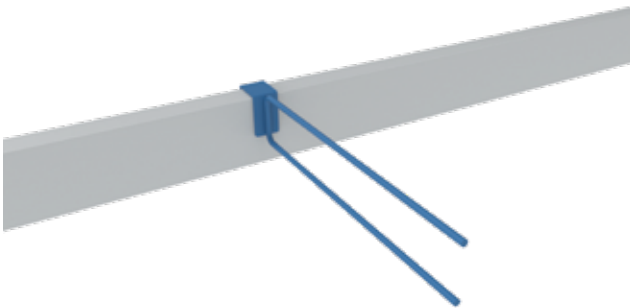
# HANGERS



## AXE HANGERS

Wieszak na trawers  
40x.. /LEWY/

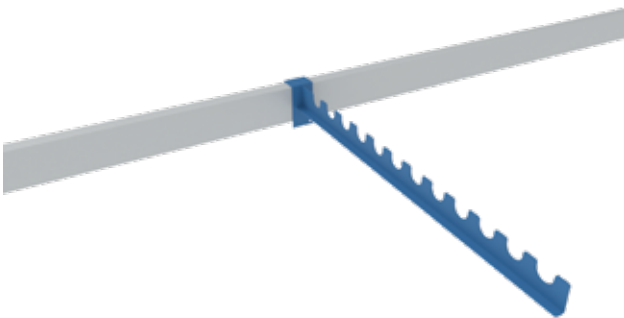
Dimensjons [mm]
L-400



## AXE HANGER

Hanger on crossbeam  
40x60 /RIGHT/

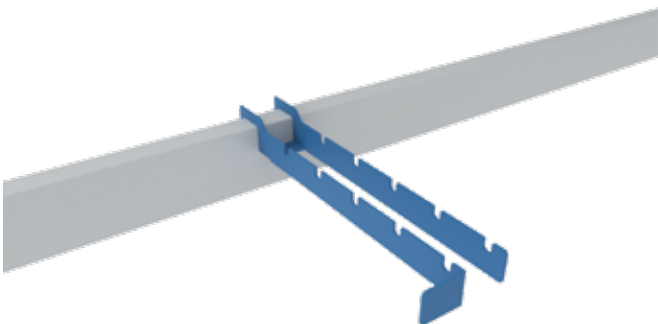
Dimensjons [mm]
L-400



## SHOVEL HANGER

Hanger on crossbeam  
40x60/80/100

Dimensjons [mm]
L-590
L-800



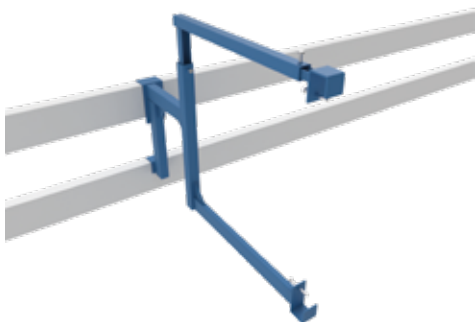
## FORK HANGER

Hanger on crossbeam 40x.. double,  
with openings L...

Dimensjons [mm]
L-400
L-500

# HANGERS

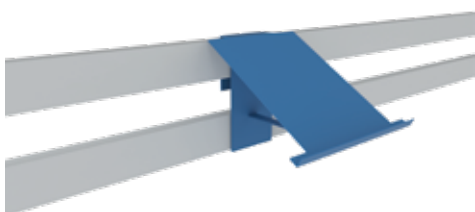
ZLEWOZMYWAKI, MUSZLE, WC, BATERIE



## SINKS HANGER

Hanger for standar crossbeam(40 x 100 mm) for sinks moved away o 200 mm (a handle clad with rubber) L-490

Dimensions [mm]
H = min 440 - max 650
G = min 405 – max 600



## TOILET BOWL HANGER

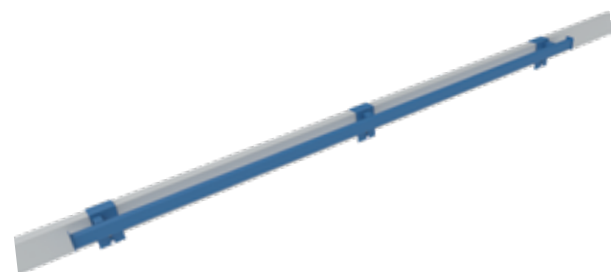
Toilet bowl hanger on crossbeam 40x100



## BATHROOM FAUCETS HANGER

Hanger on back panel

Dimensions [mm]
L-390



## BEAM

Beam 27x40 screwed 40X(60,80,100) a set

Dimensions [mm]
L-1500
L-1800
L-2500
L-2700
L-3030

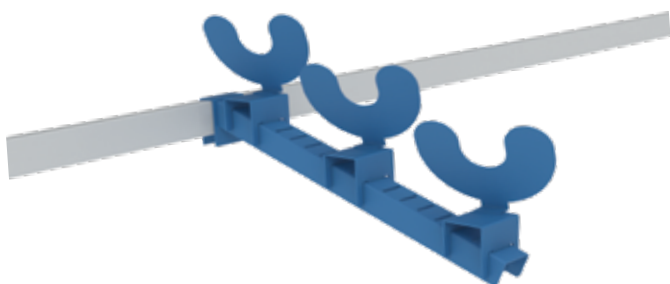
### IMPORTANT NOTE

The abovementioned solution allows making use of the entire range of hangers offered by Mago S.A., dedicated to a 27x40 beam (please find several exaples below).

# BEAM

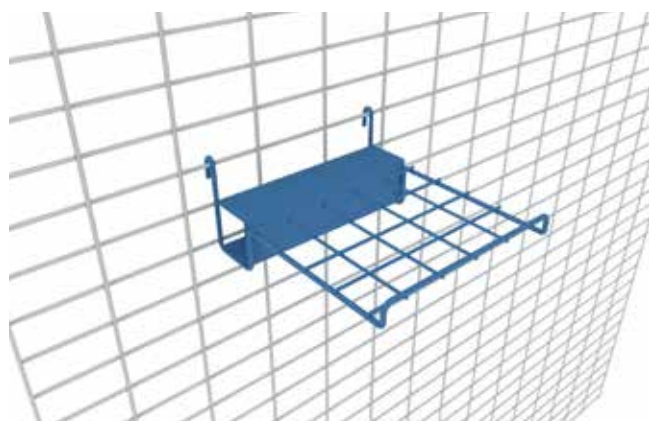


## HANGERS



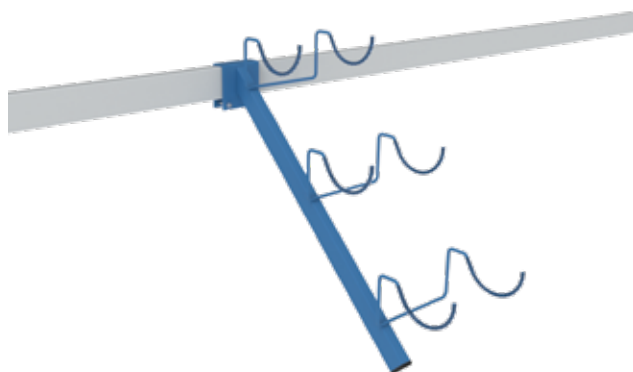
### GRINDERS HANGER

Hanger on bar 20x50



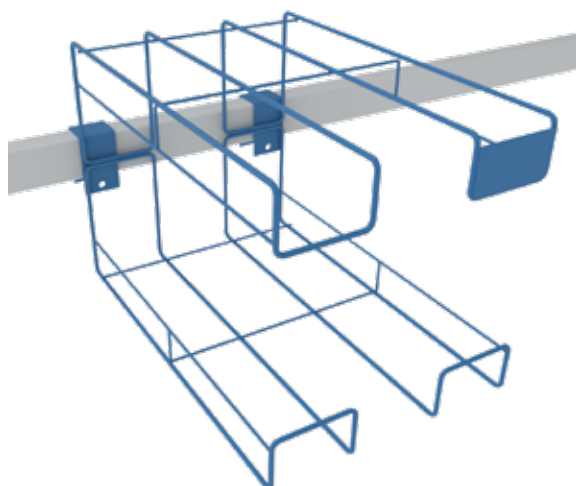
### CIRCULAR SAWS HANGER

Grating hanger



### DRILL HANGER

Hanger on bar 20x50



### PILLOW DISPLAY

On crossbeam 40x60 mm

Dimensions  
[mm]

G-490, L-320, H-340

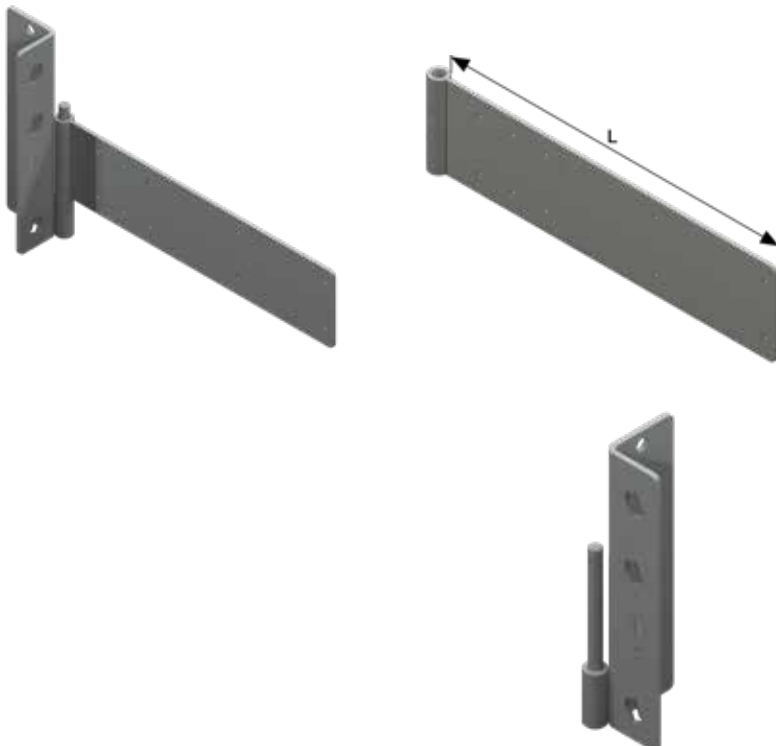
## PERFORATED DOOR WITH A LOCK



Dimensions [mm]
H-800 / L-1800
H-1250 / L-1800
H-800 / L-2700
H-1250 / L-2700

## HINGES

### PANEL MOUNTING HINGES (LEFT, RIGHT)



Dimensions [mm]
H-75 / L-75
H-75 / L-100
H-75 / L-300
H-75 / L-850
H-75 / L-1000

### HINGE PAW

Dimensions [mm]
Lewa
Prawa

## PANEL HOLDER 18 MM



### PANEL HOLDER, UPPER

On crossbeam 40x100/120/140 mm

Dimensions [mm]	
L - 1790	
L - 2690	



### PANEL HOLDER, MIDDLE

On crossbeam 40x100/120/140 mm

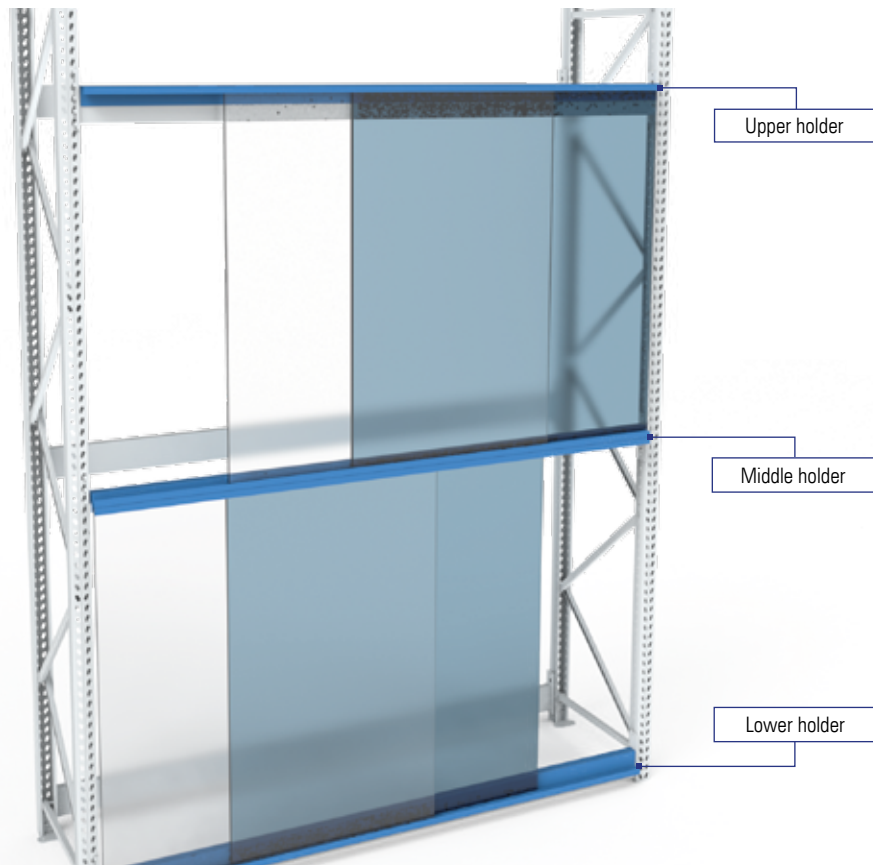
Dimensions [mm]	Q max
L - 1790	80 kg
L - 2690	120 kg



### PANEL HOLDER, LOWER

On crossbeam 40x100/120/140 mm

Dimensions [mm]	Q max
L - 1790	80 kg
L - 2690	120 kg



## SLIDE (UPPER, MIDDLE, LOWER)



### UPPER ON CROSSBEAM 40X100/120/140 MM

Dimensions [mm]	Qmax
L – 2700, panel L-950	150 kg



### MIDDLE ON CROSSBEAM 40X100/120/140 MM

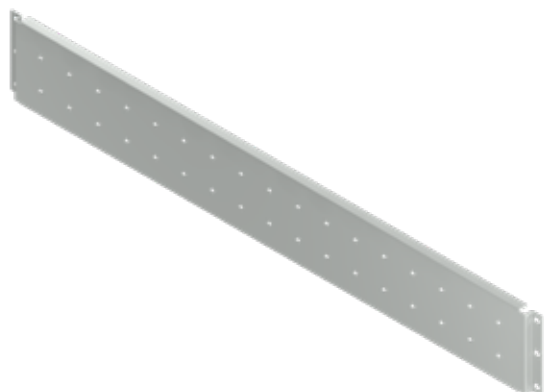
Dimensions [mm]	Qmax
L – 2700, panel L-950	150 kg



### LOWER ON CROSSBEAM 40X100/120/140

Dimensions [mm]
L – 2700, panel L-950

## DOUBLE-SIDED FOR PERFORATED PANELS



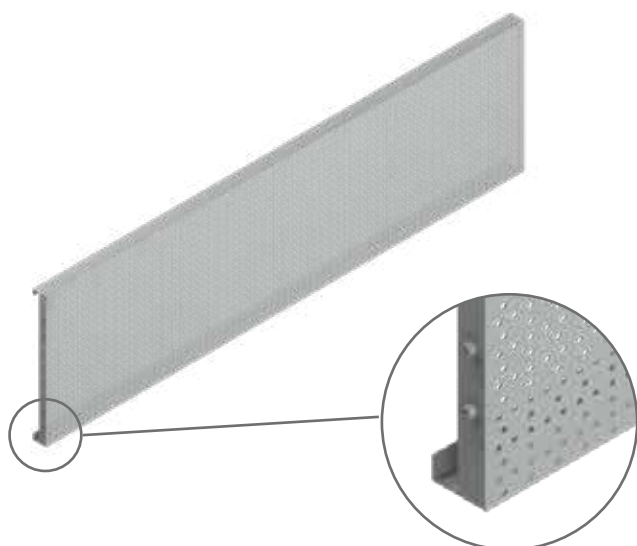
### Dimensions

Frame depth D-750

Frame depth D-1050

Frame depth D-1130

## PERFORATED PANEL SCREWED TO DOUBLE-SIDED BRACKETS



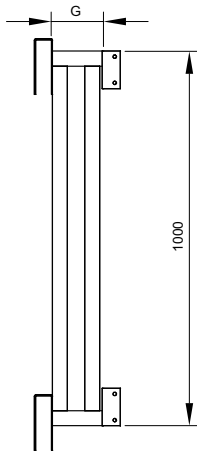
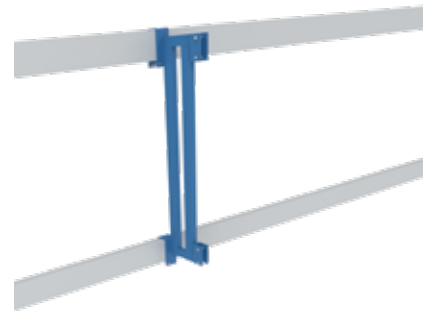
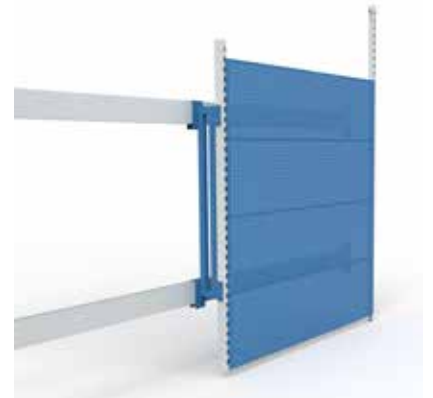
### Dimensions [mm]

L-1800, H-500

L-2700, H-500

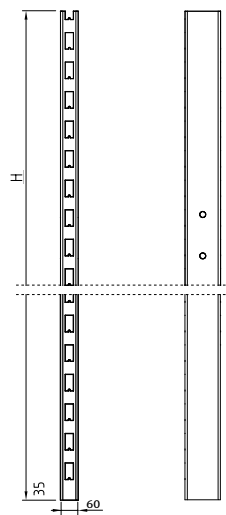
# RACK WITH REDUCED DEPTH

WALL WITH BACK PANELS H

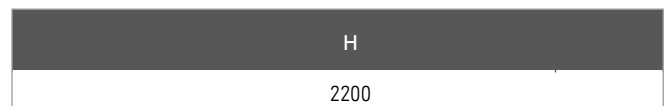


**FRAME FOR PROFILE 60X30 G-300 H-1000 ON CROSSBEAM 120X40**

**PROFILE 60X30**



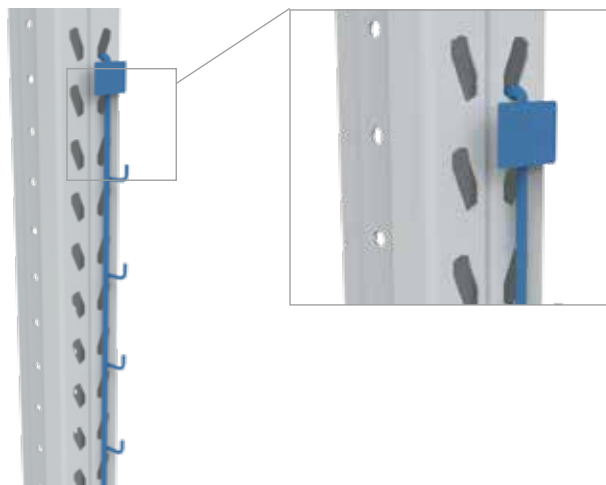
**PROFILE 60x30 BILATERAL PERFORATED FOR HANDLE NX**



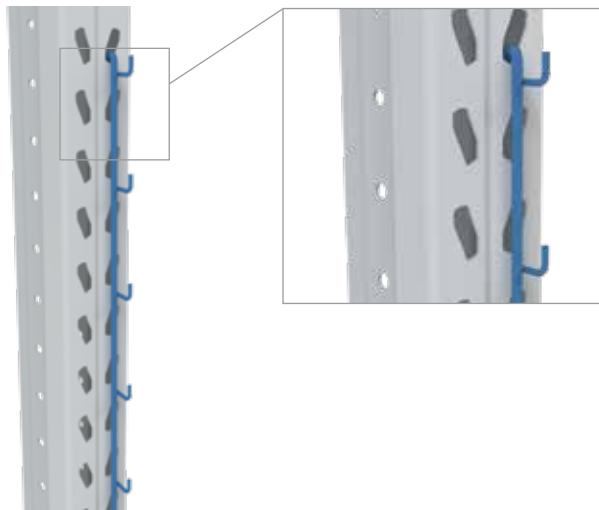


## PROMOTIONAL HANGERS

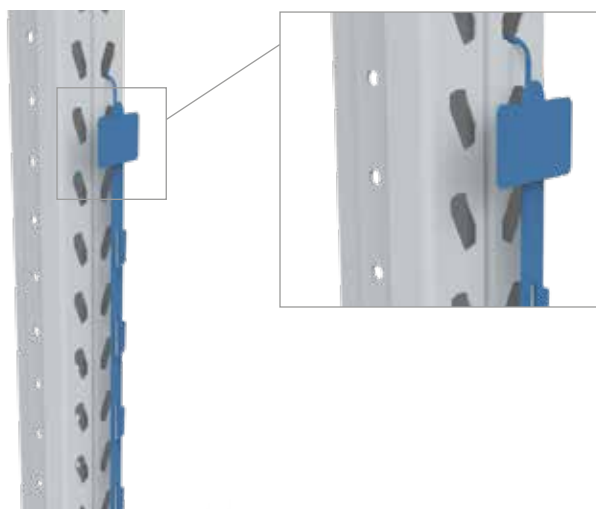
PROMOTIONAL PURCHASE L-1150



HANGER TO BLISTER PACKS L-1140



HANGER TO PLISTER PACKS WITH A PRICE HOLDER L-1140



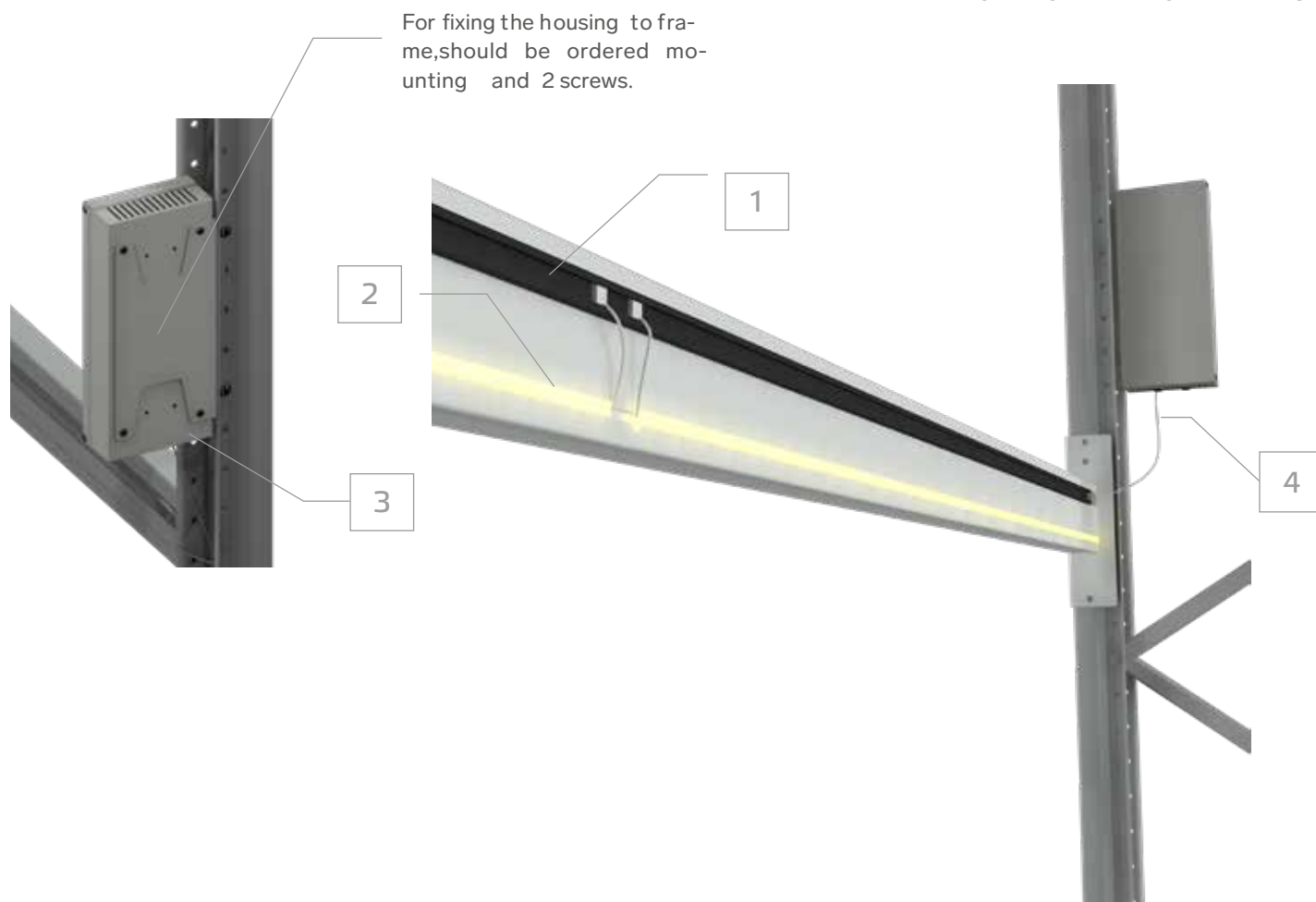
# CASH & CARRY SOLUTIONS

---



## LED LIGHTING

## LED LIGHTING WITH MAGNET FIXATION



No.	Description	Dimensions [mm]
1.	Power track with magnet for LED lighting	L-2000 L-2400 L-2500
2.	Lighting LED strip 9,5W 24V Lighting LED strip 11,9W 24V Lighting LED strip 12,7W 24V	L-1000 (980) L-1250 (1230) L-1330
3.	Power system of lighting for HX racks Power system of lighting (5 socket 3M 230V)	150W / 24V 150W / 24V
4.	Connecting cable	1,5 m 0,5 m 3 m
5.	Connector of power tracks between HX units LS0000000000-OS	

## DIVIDERS AND FRONT STRIPS

### DIVIDER FOR BRACKET STEPPED

H-100



Commercial depth Dh	Depth D [mm]
750	668
1050	968
1130	1048



### DIVIDERS FOR BRACKET RECTANGULAR 40x...

H-100



Commercial depth Dh	Depth D [mm]
750	668
1050	926
1130	1006

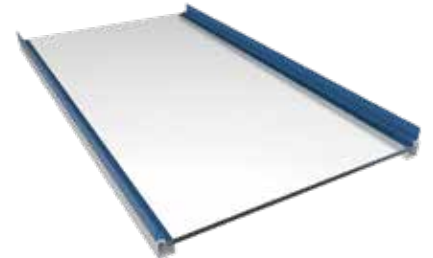


### Z-BAR H-50 ON CROSSBEAM STEPPED

H-50



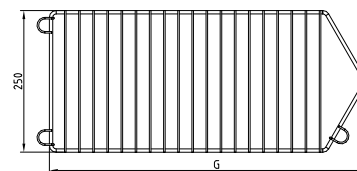
Commercial depth Dh	Depth D [mm]
1800	1780
1998	1980
2700	2680



# BASKETS



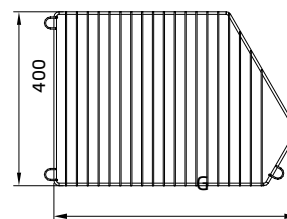
Description
BASIS OF BASKETS MK-K...ON WHEELS G-550 L-1000
SPREAD BASKET SYSTEM H-300 G-550 L-1000
SPREAD BASKET SYSTEM H-300 G-500 L-1000
SPREAD BASKET SYSTEM H-300 G-450 L-1000
SPREAD BASKET SYSTEM H-300 G-400 L-1000
UPPER SECTION MK-K G-380 L-1000
DIVIDERS
BASKET DIVIDERS MK-K30 G-550
BASKET DIVIDERS MK-K30 G-500
BASKET DIVIDERS MK-K30 G-450
BASKET DIVIDERS MK-K30 G-400
UPPER SECTION DIVIDERS MK-N0238... G-380



BASKET DIVIDER MK-K30

Depth D [mm]	Length L [mm]
450	1000
	1240
	1320
550	1000
	1240
	1320
800	1000
	1240
	1320

Depth D [mm]	Length L [mm]
450	250
550	250
800	250



BASKET DIVIDER MK-K45



Depth D [mm]	Length L [mm]
450	1000
	1240
	1320
550	1000
	1240
	1320
800	1000
	1240
	1320

Depth D [mm]	Length L [mm]
450	400
550	400
800	400



BASIS OF BASKET MK-K ON WHEELS

Dimensions [mm]
G-550 L-1300



## PROMO STANDS - MARKETING COMMUNICATIONS

## INFORMATION CANOPY



Height H
300
400



## MOBILE HANGER





## **LATVIA**

LTD Viss veikaliem un noliktavām

Kandavas street 41A - 224, Riga, LV-1083

Phone: +371 27727449 (latvian, english)

Phone: +371 22074120 (latvian, russian, english)

E-MAIL: [info@vvn.lv](mailto:info@vvn.lv)

[www.vvn.lv](http://www.vvn.lv)