

VVN

Hydraulic excavators

Easymaintenance & outstanding after-sales services
Complete line of applications and accessories
Roll over protection system



Models described in the catalog:

VVN HE 60 / VVN HE2 60

VVN HE 86 / VVN HE2 86

VVN HE 140 / HE2 140

VVN HE 212

VVN HE 218

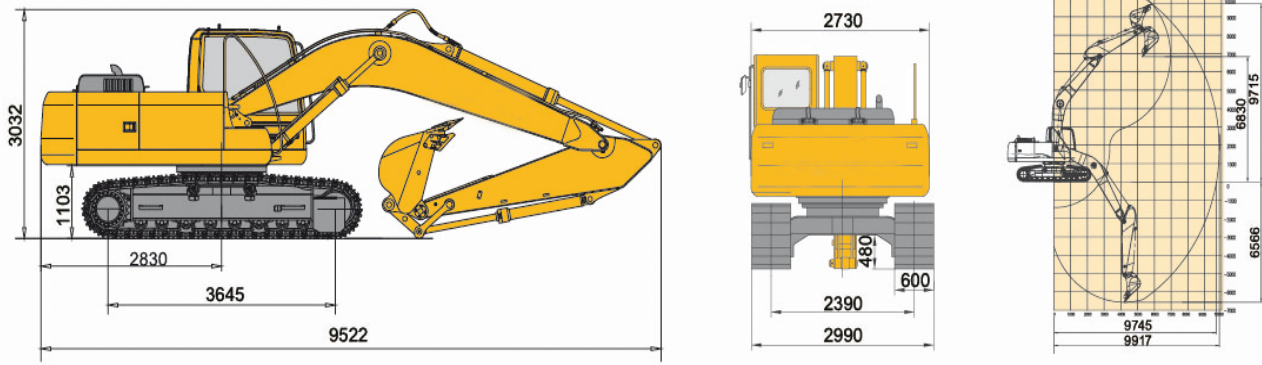
VVN HE 220

VVN HE 221

VVN HE 340

VVN HE 343

VVN HE 482



| | | | |
|----------------------------|-----------------------------|--|---|
| Operating Weight | Summary | Operating weight: 22600kg The operating weight includes the weight of 5700mm boom, 2900mm standard arm, 1.16m ³ bucket, 600mm track shoes, lubricating oil, coolant, the full tank and the rest standard configuration units. | |
| | Ground pressure | 45 kPa | |
| Bucket Capacity | Standard | 1.16 m ³ | |
| | Option range | 1.1-1.35 m ³ | |
| Engine | Model | Cummins 6BTAA5.9-C (Euro II) | |
| | Rated power | 133kW (178hp) /2000 rpm | |
| | Max. torque | 708 N.m/1500 rpm | |
| | Displacement | 5.9 L | |
| Hydraulic System | Main pump | Axial variable piston pump | |
| | Max. flow of system | 217×2 L/min | |
| | Max. pressure of Implements | 34.3 MPa | |
| | Max. pilot pressure | 4.9 MPa | |
| | Swing motor | Piston Type (with safety valve and closed type brake) | |
| | Swing speed | 12.1 rpm | |
| | Travel motor | Piston Type (with safety valve and closed type brake) | |
| | Travel speed | 3.0/5.1 km/h | |
| | Gradeability | 35°(70%) | |
| | Max. traction | 222 kN | |
| | Max. arm digging force | 107 kN | |
| | Max. bucket digging force | 147 kN | |
| Fluid Capacity | Fuel tank | 350 L | |
| | Hydraulic oil tank | 220 L | |
| Undercarriage | Standard track shoes width | 600 mm | |
| | No. of track shoes | 49 (each side) | |
| | No. of carrier rollers | 2 (each side) | |
| | No. of track rollers | 9 (each side) | |
| Electrical System | System voltage | 24 V | |
| | Battery capacity | 12 V, 120 Ah×2 | |
| Optional Equipments | | Working warning lamp and travel warning device 700mm and 800mm width triple grouser shoes Hydraulic hammer and pipeline Quick-change coupler pipeline | Bidirectional auxiliary pipeline Anti-explosion valve Cab protecting nets |



ALL FOR SHOPS AND WAREHOUSES

LATVIA

SIA "Viss Veikaliem un Noliktavām"
41A - 224 Kan davas street, Rīga, LV-10 83
Phone: +371 27727449 (latvian, english),
+371 22074120 (l atvian, russian, english),
+371 20330002 (latvian, russian, english)
E-mail: info@vvn.lv

www.vvn.lv

LITHUANIA

Phone: +370 70066080
E-mail: info@vvn.lt
www.vvn.lt

NORWAY

Phone: +47 219558 68
E-mail: info@vvn.no
www.vvn.no

ESTONIA

Phone: +372 634633 2,
+372 63463 42
E-mail: info@vvn.ee
www.vvn.ee

DENMARK

E-mail: info@vvn.dk
www.vvn.dk

FINLAND

Phone: +358 7532633 23
E-mail: info@vvn.fi
www.vvn.fi

RUSSIA

Phone: +7 849960925 1 5
E-mail: info@vvn.ru
www.vvn.ru

SWEDEN

Phone: +46 107502388
E-mail: info@vvn.se
www.vvn.se

BELARUS

Phone: +375 849960925 1 5
E-mail: info@vvn.by
www.vvn.by